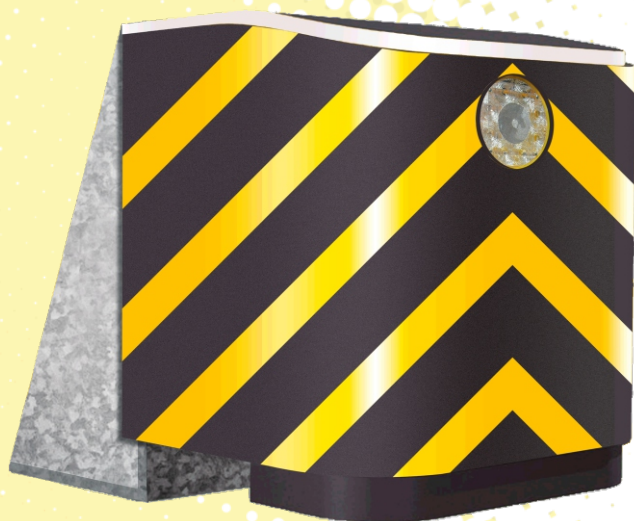


A leader doesn't follow steps ... he marks the way



FEATURES

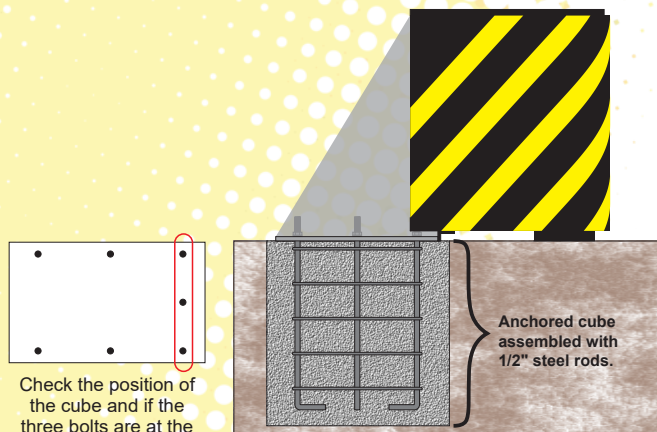
- A crash cushion designed to support a large number of collisions without maintenance or replacement.
- Flexible cushioning: it's composed by Vitemflex® plates (foamy plastic material of closed cells) combined with plates of different hardness, density, thickness and width to get the maximum damping effect, also the internal design forms cavities that work as airbags.
- Its great cushioning effect diminishes damages on the vehicle at the time of impact.
- Supporting structure: hot-dip galvanized steel plates.
- Ground anchored through a concrete cube assembled with 1/2" steel rods.
- Double function protection:
 - * In the first place and most important it's taking care of people by saving lives.
 - In second place the protection and conservation of bridges, sign posts, power plants, columns, etc.
- It has a flashing solar lamp attached in front.
- Works 70 hours approx. (flashing mode)
- Automatic: turns on after dark and it turns off with light thanks to its integrated photosensor.
- It has a red-light LED.

Technical specifications

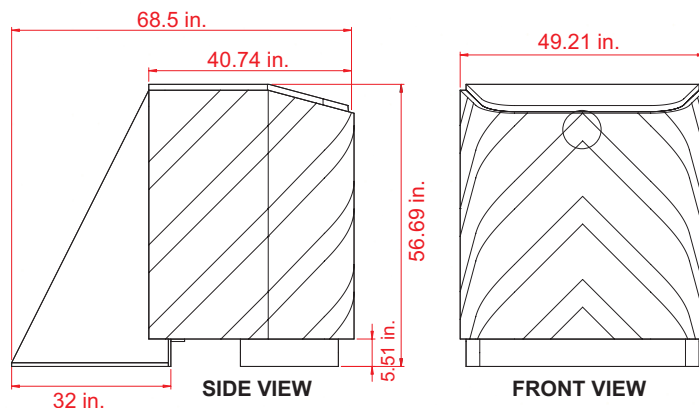
* Crash cushion:	Vitemflex® plates
* Supporting structure:	Steel plates
* Steel treatment:	Hot-dip galvanization
* Ground anchorage:	Concrete cube assembled with 1/2" steel rods
* Reflectives:	High Intensity Grade
* Measures	
* Height:	56.69 in.
* Width:	49.21 in.
* Length:	68.5 in.

INSTALLATION

- Dig a hole on the floor of around 35.43 in. × 33.46 in. × 23.62 in.
- Place the cube and check if the three bolts are at the front.
- The cube must be at floor level keeping screw-threads outside for the next step.
- Attach the device with the correspondent 9 nuts, flat washers and lock washers of 1".
- Your impact attenuator is ready.



Anchorage System



Volumes, dimensions and other measures are nominal and may vary approximately 2 %.