

SOLAR ARROW SIGN

Code: FLECHA-S

WHAT'S A SOLAR ARROW SIGN?

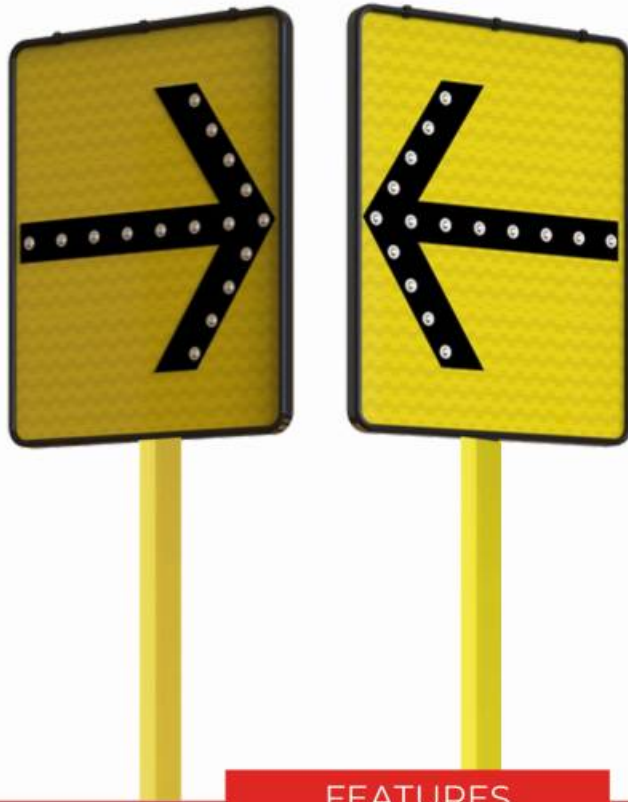
This works with solar energy, guaranteeing autonomy and energy savings without cables, neither external electric connection.

Can operate individually or with other units. When many units are installed, these synchronize with others simultaneously, increasing visibility and efficacy.

Ideal for zones with fog, rain or other adverse climate conditions, ensuring a reliable and durable performance. Built with resistant materials and robust design to withstand vandalism attempts and external severe conditions.

This device provides more than an effective and constant protection, but contribute to the efficient use of resources to use solar energy.

2 year warranty for hidden defects or manufacturing flaws.



FEATURES

- Lightweight body manufactured in one-piece of black polyethylene.
- Resistance to weather, temperature changes, and protection against UV-ray.
- Long-life-span thanks to its resistance to oxidation.
- 100 % recyclable.
- Stackable, reducing transportation and storage costs.
- 2" x 2" reinforced Posteflex®, offering a fast installation and superior durability to vandal acts.
- Prismatic reflective background in yellow, with arrow in black vinyl.
- Right or left arrow, according to the traffic flow direction.
- Its plastic material prevents thefts, due to its negligible resale value and specific use.

LIGHTING SYSTEM

- Solar panel of 1.5 x 15 in
- 16 LED's in amber color with conical optics, optimizing the light expansion.
- 2 batteries of 1.5V.
- JVM power supply electronic circuit that synchronizes the flashing of the arrows at the same time.
- Recharge during 6 hours under sunlight, and has a durability of 24 hours on flashing mode.



Arrow in right direction



Arrow in left direction



1.5 X 15.7 in photocell mounted on the top part of the signal

SOLAR ARROW SIGN

Code: FLECHA-S

MEASUREMENTS

Dimensions and other measures are nominal and may vary by +/- 2%.

Dimensions:

- Length: 25.1 in
- Width: 2.4 in
- Height: 31.4 in

Sign Dimensions

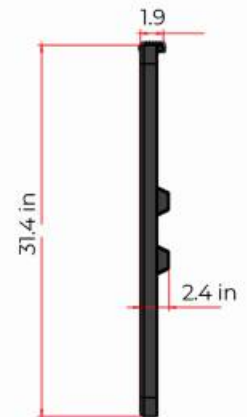
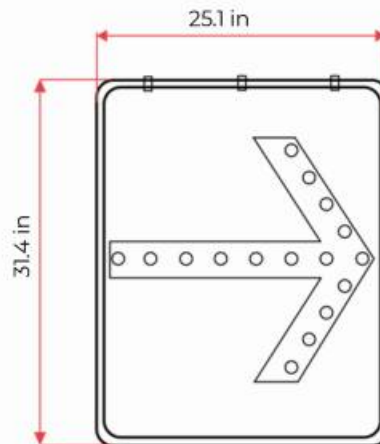
- Length: 23.6 in
- Height: 29.9 in

Reflective Sheeting:

- Prismatic

Reflective Color

- Yellow, with arrow in black opaque vinyl.



Arrow in left direction



Arrow in right direction

