

SOLAR HAZARD MARKER SIGN

Code: BIFURCACION-S



I don't know where I'm going, but I'm
ON THE SAFE WAY

Similar to sheet vertical signs with the difference of the superior quality, durable and zero resale value in case of theft; in addition is totally synchronizable.

Solar traffic sign designed to be vandal and humidity resistant, with high luminosity to ensure visibility.

This sign is used to indicate motorists the presence of narrow obstacles or changes of direction in road, such as forks, medians or roundabouts

In addition, it can be mounted on 2" x 2" reinforced Posteflex® (optional).

FEATURES

- Lightweight body manufactured in black polyethylene, designed in a single piece.
- Resistance to inclemency and temperature changes, with UV protection.
- Long life span due it doesn't rusts.
- 100 % Recyclable.
- Easy installation.
- 2" x 2" Posteflex® with inner reinforcement.
- Reflective background in white color with label in black color.
- Due manufacturing in plastic material, has zero resale value, neither other uses, avoiding thefts.

SOLAR LIGHTING SYSTEM

- Solar panel of 60 mm x 360 mm at the top part.
- 38 white LEDs with conical optics, causing light dispersion in all the chevron of fork.
- Two rechargeable 1.2 V batteries.
- The advanced JVM power supply electronic circuit synchronizes the simultaneous flashing of chevrons, improving uniformity in signage.
- 5 hours of solar charge, offer up to 24 hours of continuous flashing lighting.



With Posteflex®



Latest Gen LED



Photocell mounted
on top part

SOLAR HAZARD MARKER SIGN

Code: BIFURCACION-S

MEASUREMENTS

Dimensions and other measures are nominal and may vary by +/- 2 %.

General Dimensions

- Length: 25.3 in
- Width: 2.7 in
- Height: 49.2 in

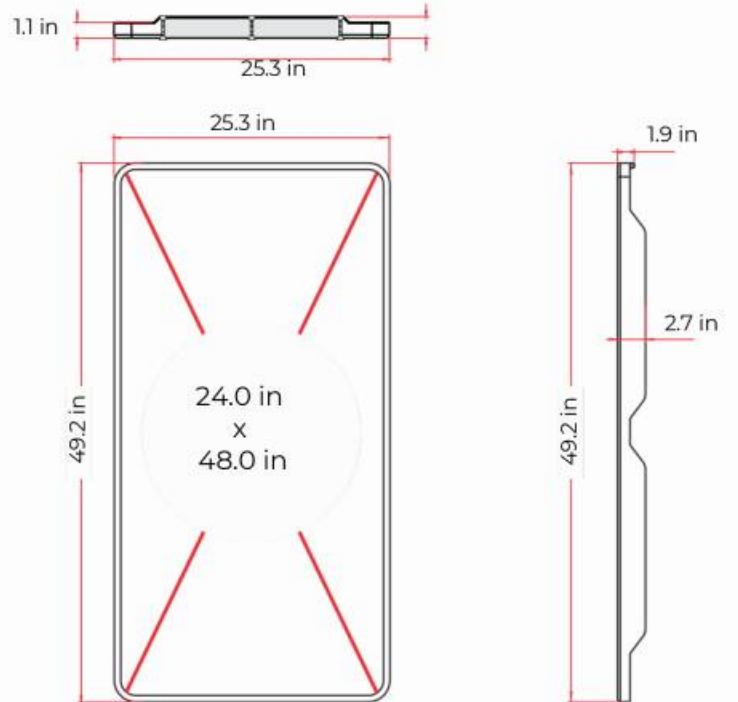
Sign Dimensions

- Length: 24.0 in
- Height: 48.0 in

Label

- White background with diagonals in black color

Note: It must be noted that this sign can include other label without light.



Light and easy to install, it doesn't damage cars neither people

