

## STEEL PAVEMENT MARKER WITH GLASS SPHERE

Code: BAC-330



### WHAT'S A STEEL PAVEMENT MARKER?

Horizontal signage device used in cities, highways and urban streets, this work as speed bump or as road marker to delineate zones.

Non-deformable body that resists friction and abrasion, manufactured to withstand heavy traffic. This offers great visibility during day and night thanks to the integrated glass body.

Mainly used to delineate contraflow lanes, reduce speed or delineate lanes and parking lot areas.

Easy to install and anchor to any surface, with 4 nails for fastening. It doesn't require maintenance, its design doesn't damage tires neither suspension system of vehicles, and robust shape ease the recognition of the device.

### FEATURES

<b>Manufactured in</b>	• Smooth stainless steel sheet
<b>Sheet gauge</b>	• 10
<b>Finish</b>	• 2B Polished
<b>Presentation color</b>	• Yellow
<b>Density</b>	• 7.750 g cm (0.107 oz in)
<b>Melting Point</b>	• 1430 - 1530 °C (2606 - 2786 °F)
<b>Structure</b>	• Ferritic

#### Mechanical properties at indoor temperatures

<b>Elongation at 50.8 mm</b>	• 30%
<b>Reduction of area</b>	• 55%
<b>Breaking Load</b>	• 52.7 kg/mm2 (116.1 LB/mm2)
<b>Brinell Hardness</b>	• 155
<b>Rockwell B Hardness</b>	• 80



# STEEL PAVEMENT MARKER WITH GLASS SPHERE

Code: BAC-330

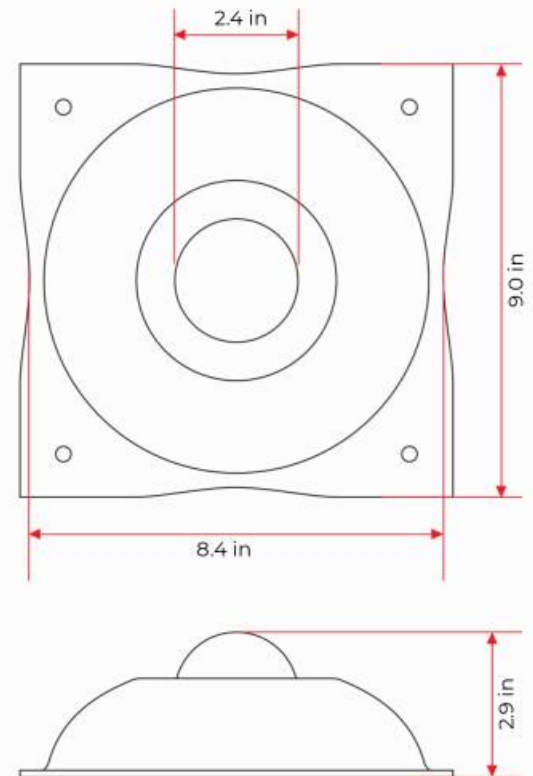
## FEATURES OF SPHERE

<b>Manufactured in</b>	<ul style="list-style-type: none"> <li>• Silicon glass with thermal type tempered</li> </ul>
<b>Presentation color</b>	<ul style="list-style-type: none"> <li>• Natural</li> </ul>
<b>Density</b>	<ul style="list-style-type: none"> <li>• 2500 kg /m<sup>3</sup> (0.062 lb ft<sup>3</sup>)</li> </ul>
<b>Softening Point</b>	<ul style="list-style-type: none"> <li>• Approximately 730 °C (1346 °F)</li> </ul>
<b>Thermal Conductivity</b>	<ul style="list-style-type: none"> <li>• 1.05 W/mK</li> </ul>
<b>Hardness</b>	<ul style="list-style-type: none"> <li>• 6 or 7 Mohs hardness scale</li> </ul>
<b>Poisson's ratio</b>	<ul style="list-style-type: none"> <li>• Between 0.22 and 0.23</li> </ul>
<b>Compressive strength</b>	<ul style="list-style-type: none"> <li>• Greater than 10,000 kg/cm<sup>2</sup> (14223 lb/in<sup>2</sup>)</li> </ul>
<b>Young's Modulus</b>	<ul style="list-style-type: none"> <li>• 500 kg/cm<sup>2</sup> (7111 lb/in<sup>2</sup>)</li> </ul>
<b>Modulus of rupture</b>	<ul style="list-style-type: none"> <li>• 850 kg/cm<sup>2</sup> (12089 lb/in<sup>2</sup>)</li> </ul>
<b>Tensile Strength</b>	<ul style="list-style-type: none"> <li>• 300 and 700 k/cm<sup>2</sup> (4267 and 9956 lb/in<sup>2</sup>)</li> </ul>

## MEASUREMENTS

Dimensions and other measures are nominal and may vary by approximately ± 2 %.

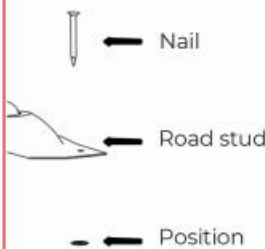
<b>Manufactured in</b>	<ul style="list-style-type: none"> <li>• Steel</li> </ul>
<b>Measurements</b>	<ul style="list-style-type: none"> <li>• 9.0 in x 3.3 in</li> </ul>
<b>Approx. Weight</b>	<ul style="list-style-type: none"> <li>• 5.379 lbs</li> </ul>
<b>Color</b>	<ul style="list-style-type: none"> <li>• Yellow</li> </ul>



## INSTALLATION

First, prepare the surface, which must be dry and clean; then, mark the location of each device to install on:

- **Asphalt:** Mark the 4 boreholes, place the pavement marker on the assigned place and start to nail. You can also add epoxy resin on the base (optional) and make sure to avoid the damage of the device when hitting the nails (four nails of 1/4 x 3").
- **Hydraulic Concrete:** Create a guide on concrete with a 3/16" drill bit to a 3" depth; then, insert the four nails of 1/4 x 3" hitting them.



### Epoxy resin preparation

1. Compound equal amounts of "a" + "b" substances.
2. Stir until a homogeneous mixture is obtained.
3. Once you are done, dispose of the epoxy resin residuals (it is for single-use only).