

METAL ROUND PAVEMENT MARKER

Code: BY-M



WHAT'S A METAL PAVEMENT MARKER?

Device for horizontal signage used in roads, highways or streets and work as speed bump, stops; also used to delineate zones.

Non-deformable body without changes before friction and abrasion.

FEATURES

- Basic and economic device.
- High resistance to shocks and impacts.
- Great visibility during day and night due size and color.
- Ideal to delineate lanes and contraflow lanes of streets, roads and highways.
- One or two reflective faces.
- Non-deformable body, molded in steel in a single piece with high resistance to oxidation.
- Designed for heavy transit.
- Adaptable to any pavement type.
- Install with 4 included nails.



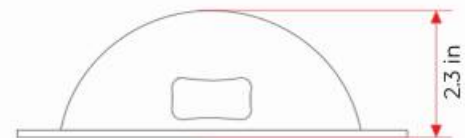
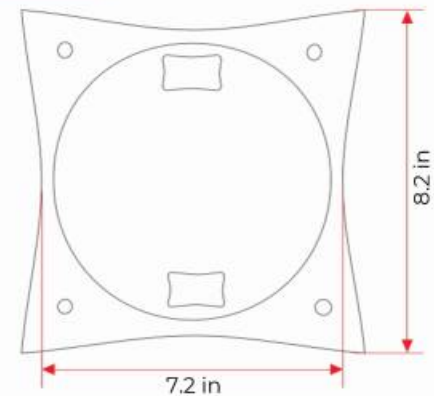
METAL ROUND PAVEMENT MARKER

Code: BY-M

MEASUREMENTS

Dimensions, and other measures are nominal and may vary by +/- 2%.

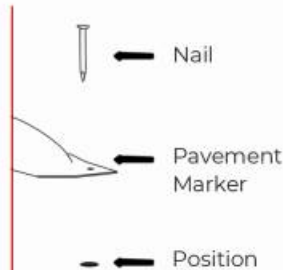
Die cut pavement marker	<ul style="list-style-type: none"> • Steel sheet
Paint	<ul style="list-style-type: none"> • High resistance baked polyester
Gauge (sheet)	<ul style="list-style-type: none"> • 10
Measures	<ul style="list-style-type: none"> • Length: 8.2 X 8.2 in • Height: 2.3 in
Thickness	<ul style="list-style-type: none"> • 3.0 Mm
Weight	<ul style="list-style-type: none"> • 2.755 lbs
Nails	<ul style="list-style-type: none"> • 4 nails of high resistance steel
Measure of Nails	<ul style="list-style-type: none"> • 1/4" of diameter x 2 1/2" of length
Pavement Marker Color	<ul style="list-style-type: none"> • Yellow
Reflective sheeting (optional)	<ul style="list-style-type: none"> • High intensity
Measures of reflective sheeting	<ul style="list-style-type: none"> • Length: 1.9 in • Width: 0.8 in
Color of reflective sheeting	<ul style="list-style-type: none"> • Red or amber
Compressive strength (load)	<ul style="list-style-type: none"> • +12,000 Kg (26,455 lbs)



INSTALLATION

First, prepare the surface, which must be clean and dry; then, mark the distribution of each pavement marker. For its installation on:

- **Asphalt:** Mark the 4 boreholes, place the devices and start to nail them one by one. Secondly, apply epoxy resin on base, if desired. Finally, make sure to avoid the damage of pavement marker when hitting with nails, that is how should be installed; 4 nails of 1/4 x 3".
- **Hydraulic Concrete:** Mark on concrete with a 3/16" drill bit to a 3" depth; then; insert the 4 nails of 1/4 x 3" by hitting them.



How to prepare epoxy resin:

1. Compound equal amounts of "a" + "b" substances.
2. Stir until a homogeneous mixture is obtained.
3. Once you are done, dispose of the epoxy resin residuals (it is for single-use only).