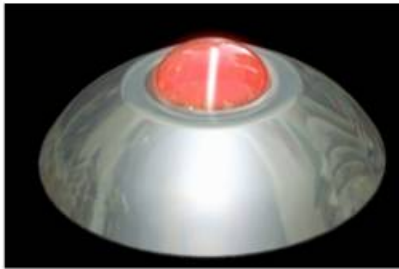


SOLAR ROUND PAVEMENT MARKER

Code: BACI-ES-135-SOLAR / BACI-ES-100-SOLAR

BACI-ES-135-SOLAR



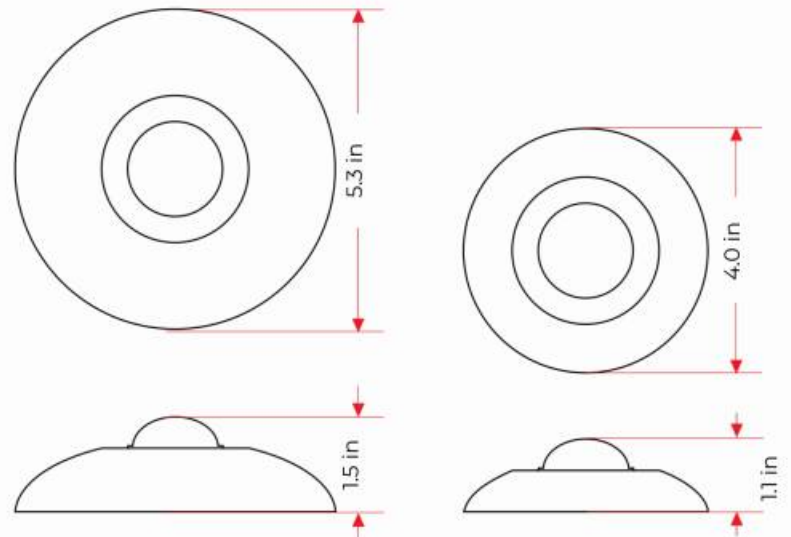
BACI-ES-100-SOLAR

FEATURES

- Electronic button created to enhance the visibility of roads in low visibility situations.
- Great visibility in adverse climate conditions.
- Ideal to mark a route or guide in foggy areas, highways or low light zones, parks, square centers, and others.
- High resistance to friction, abrasion, shocks and impacts.
- Light weight, smooth and without cutting edges body.
- Useful as speed bump.
- Body manufactured in high polished stainless steel.
- Bolt, optional.
- Self rechargeable solar power system through photo voltaic cell with intelligent circuit, ON/OFF sensitive to sun light.
- Lighting of 02 LEDs (BASI-ES-135) and 01 LED (BACI-ES-100), flashing high intensity in amber, red or white.
- Transparent crystal sphere to diffuse light.

MEASURES

Manufactured in	• Stainless Steel
Mini solar panel of	• Silicon
Approx. Life span	• 100,000 hrs
LED luminous intensity	• + of 5200 mcd
Light flashing sequence	• 1 fps
Visibility distance of LED	• 656 ft
Circuit efficiency	• Exposed to direct sun • 36 hrs. working with 7 hours of charge
Intelligent On/Off	



	Ø	Height
BACI-ES-135-SOLAR	5.3 in	1.5 in
BACI-ES-100-SOLAR	4.0 in	1.1 in