

DIAMOND BARRIER

Code: BD-174

FEATURES OF THE BD-174



FEATURES

- Manufactured in linear polyethylene in one piece.
- Line colors: orange or yellow (other color upon request).
- UV protection.
- Uniform thickness on walls that improve the daily heavy duty performance.
- Base with two arcs that facilitate water flow and also help to carry with forklift.
- Resistance to inclemency and temperature changes, guaranteeing a long shelf life.
- Male-female coupling for an easy placement from small straight lines to curves.
- 2 engraved bi-directional chevrons per face, with option to include reflective sheeting, guaranteeing visibility at long distances.
- Upper cap for filling if needed; option to change for an arrow type paddle-cap with reflective sheeting.
- Lower cap for draining.
- Between each barrier is possible to turn a 30° turn radius, enabling the creation of circles of 19.685 ft diameter or more.
- Useful to sign curves.
- It complies with the standard established by SETRAVI (Secretary of Transport and Road).



DIAMOND BARRIER

Code: BD-174

MEASUREMENTS

Dimensions and other measures are nominal and may vary by + / - 2%.

Total

- Useful Length: 5.1 ft
- Total Length: 5.6 ft
- Width: 23.0 in
- Height: 33 in

Reflective Sheeting

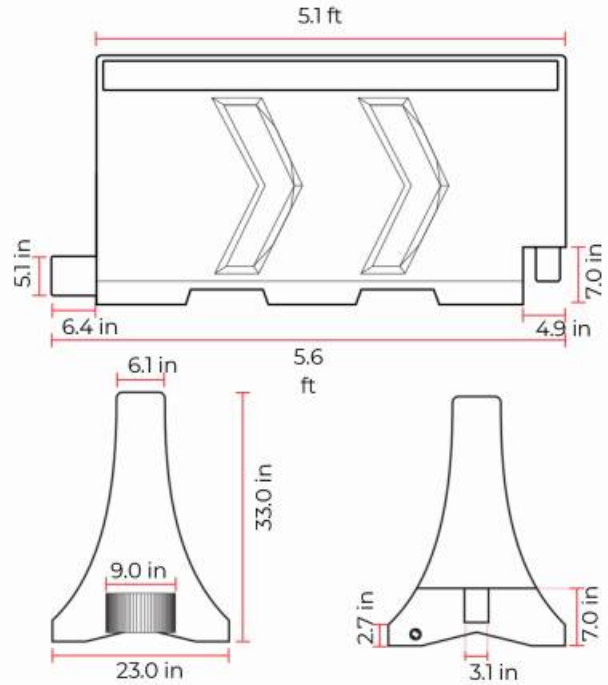
- White or yellow chevrons

Weight

- 39.683 lbs

Filling Capacity

- 330 lt o kg
- 87.1 gal or 727 lbs



Assembly

