

NESTABLE BARRIER 850

Code: BA-AN-850

**Great savings in
storage and transportation!**

UNITY IS STRENGTH

The nestable barrier is an innovative and convenient solution for road safety.

Versatile and functional road safety device, ideal to block roads, sign works, manage changes of lane, detours and guide transit. Perfect to delineate sport activities and special events, offering greater safety and optimizing storage and transport costs.

You can get an efficient, safe and economic solution from the nestable barrier, for any signage and delineation need in public spaces and events.



FEATURES

- Modular barrier of easy handle, exclusive on market.
- Nestable, ease transport and storage by occupying less space, saving up to 75% in costs.
- Adjustable to different lengths, adapting to different project or event needs.
- Manufactured in high density polyethylene, orange color with UV protection, resistant to inclemency and temperature changes, guaranteeing a long life span.
- 2 engraved chevrons per side, these can be equipped with white reflective sheeting (optional) for greater night visibility.
- Safe and fast installation with male-female system, allowing to be assembled by a single person with a minimum effort.
- Ideal to guide people to safe zones.
- These features make of nestable traffic barriers an efficient and convenient option for traffic control.



Engraved chevrons in the body of barrier



Handle to manage



Safe coupling



Storage

NESTABLE BARRIER 850

Code: BA-AN-850

MEASUREMENTS

Dimensions and other measures are nominal and may vary by + - 2%.

Total

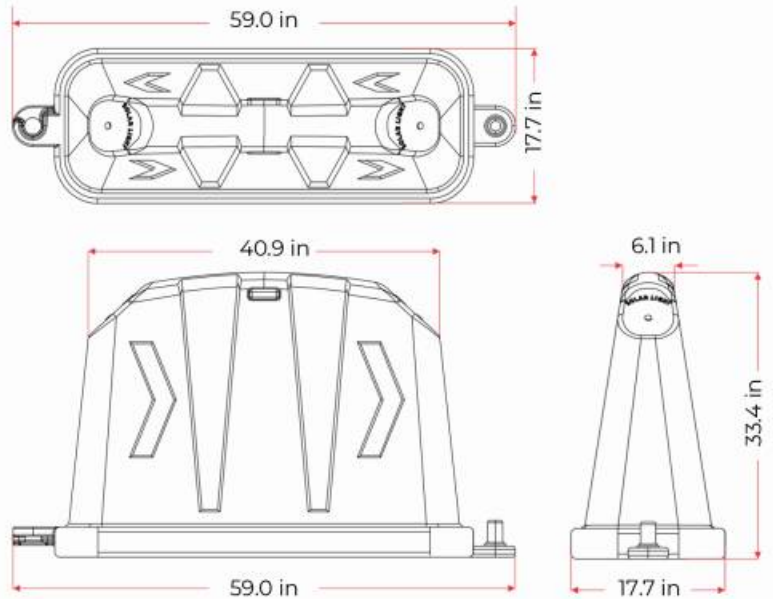
- Total Length: 59.0 in
- Width: 17.7 in
- Height: 33.4 in

Color of Reflective Sheeting

- White

Weight

- 22,046 or 35,273 lbs depending on the cost



Dry box of 53" with approx. 1,134 nestable barriers.
Channelizing 5,580 linear ft.

