

ARROW TYPE PADDLE

Code: PTF-20



WHAT'S AN ARROW PADDLE?

Its a put and remove panel, board in arrow shape that comply with 2 functions: as light reflector and cap for barriers.

Its main function is reflect, sign and guide vehicles in prohibited and work zones; it is also used to delimit roads safely.

It is placed on cones, barriers or barricades to provide a lighted signaling.

FEATURES

- Easy to install, safe attachment.
- Paddle with threat to avoid detachment.
- Manufactured in polypropylene that provide resistance and durability.
- Protection against UV-rays.
- Line colors: black and white.
- Reflective sheeting in both sides.



ARROW TYPE PADDLE

Code: PTF-20

MEASUREMENTS

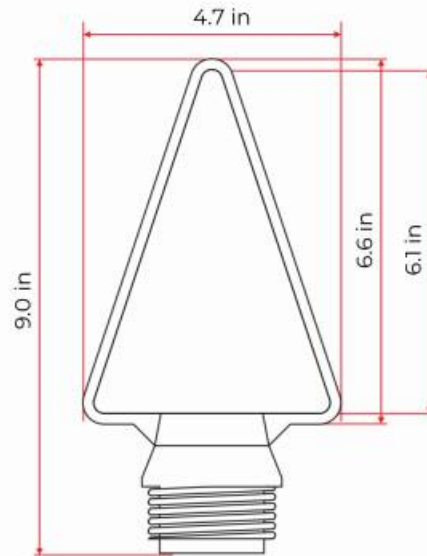
Dimensions and other measures are nominal and may vary by + / - 2%.

General

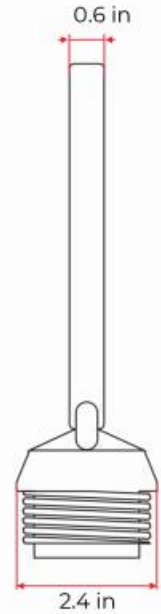
- Length: 4.7 in
- Width: 0.6 in
- Functional Height: 7.8 in
- Total Height: 9.0 in

Reflective Sheeting

- Color: amber or white
- In one or two faces



Front View



Lateral View

