

## PROTECTION BARRIER

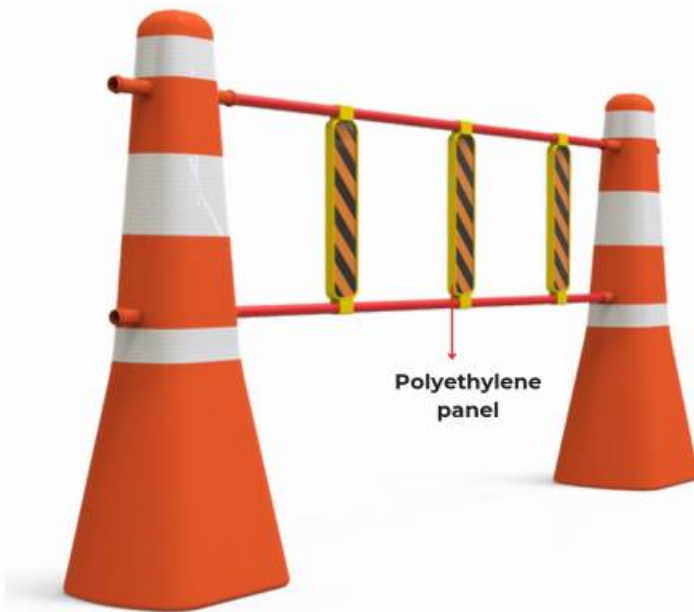
Code: B-180

### WHAT IS THE FUNCTION OF THE 180 BARRIER?

#### The authentic road safety barrier.

These fences are designed to offer an exceptional resistance before impacts and extreme climate conditions, guaranteeing a unique durability.

These work perfectly alone, but by integrated them in a system, these transform in the perfect solution to prevent vehicle invasion in restricted zones, suggest lanes, deviate and guide traffic, and also offer an effective shield for police.



### FEATURES

- Optimal visibility from any angle.
- It can be used individually or in group through a join system with two tubes, allowing to connect multiple barriers to extend length of protection.
- It can include reflective panels caramel type design, tarpaulin with text or LED arrow.
- Body with 3 reflective strips to increase night visibility.
- Manufactured in a single piece of polyethylene, available in blue, orange, yellow or other colors upon request.
- Smooth surfaces without cutting edges.
- UV protection, resistant to adverse environmental conditions.
- Optional: fill with water or sand to increase stability, even though it isn't necessary for functioning.
- Includes a drainage plug on lower part to ease emptying.
- Tube of  $\varnothing 1\frac{1}{2}$ ", 18-gauge, with 9.8 ft of length, designed to connect barriers among them.
- Simplicity to incorporate institution logos.



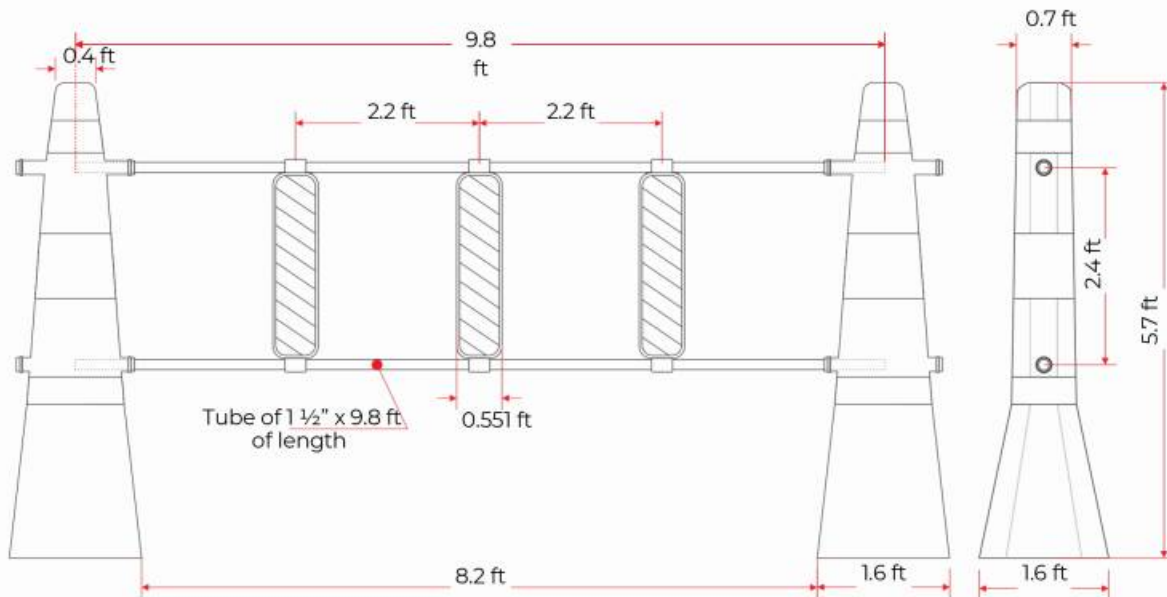
Tarpaulin with text in vinyl



Tarpaulin with chevron in vinyl and LEDs

# PROTECTION BARRIER

Code: B-180



## MEASURES

Dimensions and other measures are nominal and may vary by +/- 2 %.

- |                                     |  |
|-------------------------------------|--|
| <b>Total Module</b>                 | <ul style="list-style-type: none"> <li>• Total Length: 11.4 ft</li> <li>• Width: 1.6 ft</li> <li>• Height: 5.7 ft</li> </ul> |
| <b>Piece</b>                        | <ul style="list-style-type: none"> <li>• Length: 1.6 x 1.6 ft</li> <li>• Height: 5.7 ft</li> </ul>                           |
| <b>Reflective Sheeting</b>          | <ul style="list-style-type: none"> <li>• Optional</li> </ul>   |
| <b>Color of Reflective Sheeting</b> | <ul style="list-style-type: none"> <li>• White</li> </ul>  |

