

PUT & REMOVE POST

Code: IT-QP-03 / IT-QP-02 / IT-QP-01

WHAT'S A PUT & REMOVE POST?

Is a flexible delineator post used to separate and sign spaces, it is a convenient device that can be detachable due is modular.

Adaptable base to the floor.

Reflective stripes to be seen at long distances.
360° mobility and a 45° inclination.

Ideal to regulate the access of vehicles in parking lots, schools, forks, et al.

Useful device in schools or zones that require a demarcation to define counter flows or traffic diversions in certain schedules or hours. Ideal in parking lots where is required to limit areas occasionally.



FEATURES

- Impact resistant.
- Bold colors: yellow, orange, green, blue, black or white.
- Withstand extreme temperature changes.
- UV protection.
- Reflective stripes with high quality reflection to increase night and day visibility.
- Modular device due its detachable parts; can be set from 1 to 3 pieces, varying its height.
- Threaded type assembly.
- Circular base with great stability and spring in the center to return the post to its original position.
- Its installation is made of $\varnothing 2 \frac{1}{4}$ " x 10.2 in of length of polyethylene pipe, that is drowned in pavement, and allows to insert the post.
- The post has a metal pipe of 2" \varnothing x 9.0" length, that at the same time pass through the outer pipe, and the other pipe covers the metal pipe.
- The pot can be put and removed many times, without affecting traffic.



PUT & REMOVE POST

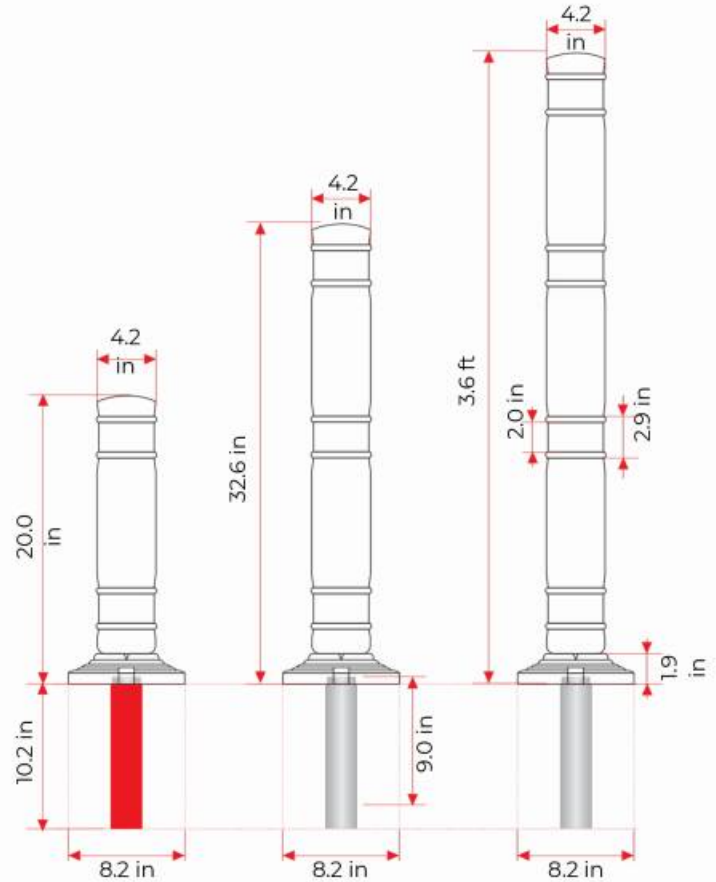
Code: IT-QP-03 / IT-QP-02 / IT-QP-01

MEASUREMENTS

Dimensions and other measures are nominal and may vary by +/- 2%.

	Measurements with Post	Weight
1 module post	25.7 in (height)	3.545 lbs
2 modules post	3.3 ft (height)	4.056 lbs
3 modules post	4.2 ft (height)	4.680 lbs

- Manufactured in**
 - High density polyethylene
- Color of module**
 - White, blue, orange, yellow, green or black
- Material of the base**
 - Medium Density Polyethylene
- Color**
 - Black
- Reflective Tape (optional in rings)**
 - Prismatic



- Brightness (reflectometer 85°)**
 - Over 40°
- Tensile Testing (300mm/min.)**
 - Approx. 2.25 kgf
- Heat Resistance (71 3° C x 24 hrs.) (-95 37° C x 24 hrs.)**
 - It doesn't affects
- Cold Resistance (-57 3° C x 7 hrs.) (-70 37° F x 7 hrs.)**
 - it doesn't affects

ANCHORING

1. Mark the position of the boreholes where the posts will be placed
2. Drill a $\varnothing 2\frac{1}{2}$ " hole to a 11.8" depth and insert the $2\frac{1}{2}$ " x 10.2" polyethylene post
3. Level and drown with cement, let it dry and...

DONE!

