

## MODULAR BIKE PARKING

Code: PARKING BICI



### FEATURES

- Urban furniture suitable to park bikes.
- Available to park 2 bikes in a row or to park up to 12 bikes in a unique structure.
- Its assembly can have modules at the front only, or front and back modules.
- In order to protect the bikes with the modular bike parking it is suggested the use of any chain type or steel cable with padlock (provided by the user).
- The Modular Bike Parking is manufactured in medium density polyethylene and steel tubes with polyethylene ends to avoid injuries and guarantee an optimal resistance.
- Manufactured in different colors: yellow, blue, green or red.
- Protection to weather inclemency and UV-rays.
- Mainly suggested in parks, medians, housing units, et al.
- This device has to be built in on the floor.
- Suggested anchoring: Each post has 4 Hex Head Ultrafix Screws of  $\varnothing 3/8"$  x 5.9", extralarge anchor of  $\varnothing 0.7"$  x 5.5" (not included).



## MODULAR BIKE PARKING

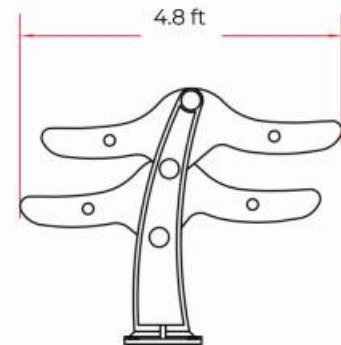
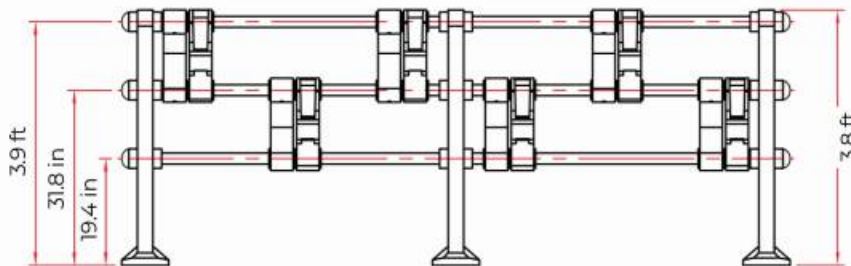
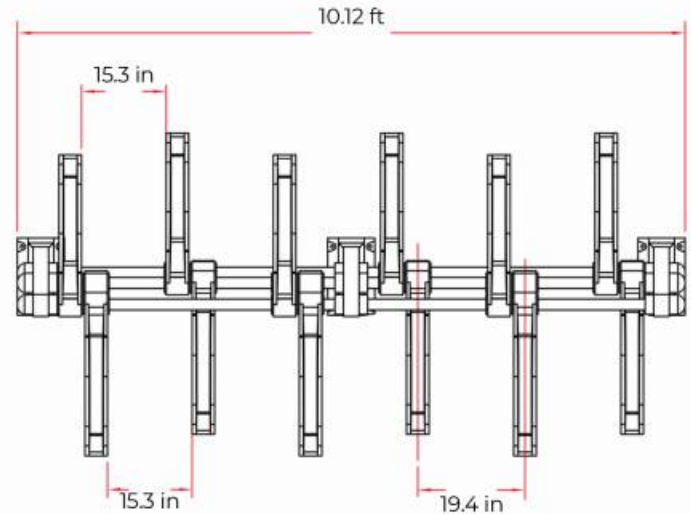
Code: PARKING BICI

### MEASUREMENTS

Dimensions and other measures are nominal and may vary by +/- 2%:

**Total**

- Length: depends on the number of blocks
- Width 4.8 ft
- Height: 3.8 ft



### ANCHORING

1. Mark the 4 boreholes of each post.
2. Drill the area with a 3/4" drill bit for concrete to a 7" depth.
3. Insert the anchors (with epoxy resin for better fastening) on the boreholes and place the post.
4. Insert the 3/8" screws and flat washers with a 9/16" socket wrench
5. Finally, tighten the 4 screws and your installation is...  
**DONE!**

- Hex Head Ultrafix Screw 21 v  
Ø 3/8" x 5.9"
- Flat Washer
- Leg of the device
- Extralarge Anchor  
Ø 0.7" x 5.3"
- Borehole in concrete



# MODULAR BIKE PARKING

Code: PARKING BICI

2 modules



4 modules 2x2



4 modules



8 modules 4x4



6 modules



12 modules 6x6



8 modules



10 modules 6x6

