

## BRIO 105 SOLAR DELINEATOR POST

Code: BBRIO-105SOLAR



21 x  $\frac{3}{8}$ " x 5.9 in  
Hex Head Ultrafix Screw

$\varnothing$  0.7 in x 5.3 in  
Extralarge Anchor

### WHAT SOLAR POSTS ARE?

Road signage devices designed to delineate specific areas, their main function is prevent vehicles invade restricted or dangerous zones, contributing to road and pedestrian safety.

Manufactured in highly resistant plastic to climate conditions, wear, tear and impacts; reboundable posts have the ability of recover shape after impact, for that, these are ideal in parking lot entrances and areas of restricted access.

These act as space delineators, avoiding invasions in sidewalks, bikeways, pedestrian crossings and prohibited zones.

Reboundable posts, by installing these in line, create clear visual barriers, impeding prohibited parking and maintaining the order in access areas and load zones.

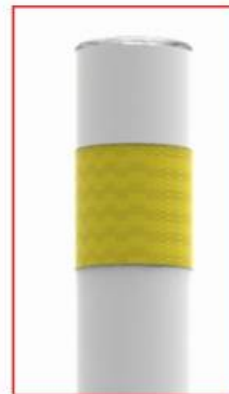
Versatile and functional, improving urban organization and safety for pedestrians and motorists.

### FEATURES

- Resistant to impact of vehicles.
- Recovers its original shape after impact, returning to vertical position, withstand more than 5,000 run overs.
- Manufactured in highly resistant plastic, material that doesn't cause damage to vehicles.
- Withstand accidental run overs of up to 5 tons.
- Line color: translucent white color.
- 2 prismatic reflective rings to increase its visibility during night.
- Easy to place or change its position.
- Safe anchoring to the floor through 4 screws, four  $\frac{3}{8}$ " flat washers and 4 extra-large anchors (not included), providing greater stability.

#### SOLAR POWER SYSTEM

- Equipped with solar cell.
- 5 latest generation ultrabright LEDs.
- JVM circuit that make it function in a flashing way.
- LED colors: amber, red, green, blue or white.



# BRIO 105 SOLAR DELINEATOR POST

Code: BBRIO-105SOLAR

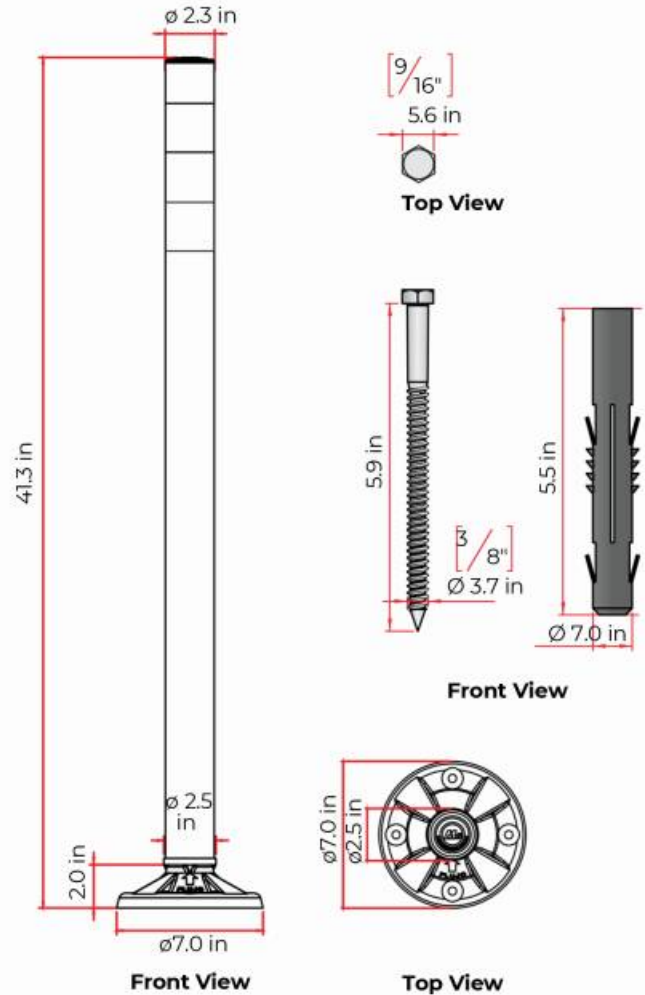
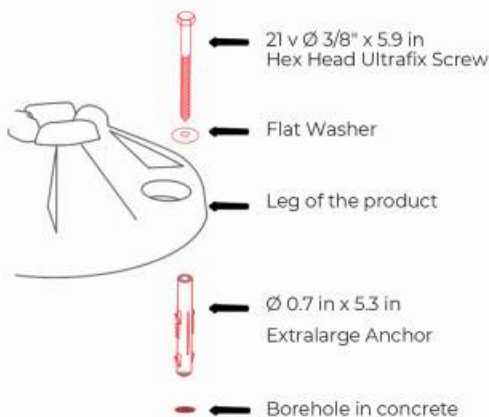
## MEASUREMENTS

Dimensions and other measures are nominal and may vary by +/- 2%.

- |                                 |   |
|---------------------------------|---|
| <b>Total</b>                    | <ul style="list-style-type: none"> <li>• Height: 41.3 in</li> <li>• Base <math>\phi</math> 7.0 in;</li> <li>• Top <math>\phi</math> 2.3 in</li> </ul> |
| <b>Reflective Tape</b>          | <ul style="list-style-type: none"> <li>• Ring of 2.3 x 7.0 in</li> </ul>  |
| <b>Color of Reflective Tape</b> | <ul style="list-style-type: none"> <li>• Amber or white</li> </ul>  |
| <b>Weight</b>                   | <ul style="list-style-type: none"> <li>• 2.292 lbs</li> </ul>   |

## ANCHORING

1. Mark the boreholes using a  $\frac{3}{4}$ " drill bit for concrete, and the base of the post as a template.
2. Drill the designated area to a 7" depth, insert the anchors on the boreholes and place the delineator post.
3. Insert the  $\frac{3}{8}$ " screws and flat washers, then tighten the 4 screws with the help of a  $\frac{9}{16}$ " socket wrench.  
**DONE!**



**+ SECURITY**  
**+ RESISTANCE**  
**LESS COST**