

ROAD STUD 395

Code: VI-COBI-L

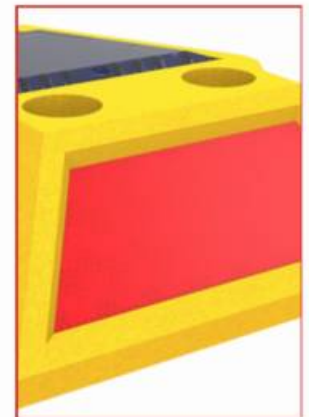
WHAT'S A ROAD STUD?



Device with light to demarcate special lanes.

Ideal to delimit or confine exclusive roads of bus, metrobus, trolebus or bike lane.

It is used to guide vehicles to their lanes.



FEATURES

- Elegant design with an uneven pyramid shape body, without cutting edges to prevent the damage to tires.
- Its composition made of low density polyethylene offers a better resistance performance and expansion of its materials even in extreme temperatures.
- Resistant to humidity and corrosion.
- With UV protection.
- Manufactured in one piece.
- It has a pair of reflectors to add visibility.
- Yellow color to be more visible
- Easy to install and suitable to change its place with a minimum interruption, in other words, is possible to be used in temporary detours, to generate a wider space among road studs to allow cyclists to enter and exit of the lane easily.

LIGHTING SYSTEM

- Road stud with intelligent solar system, composed by: solar cell, 6 ultra bright LEDs of 5mm, acrylic mica for protection and better light reflection.
- The system is powered by a battery with circuit for a perfect functioning.
- Water-proof device.
- The communication among road studs is via RF radio frequency.



ROAD STUD 395

Code: VI-COBI-L

MEASUREMENTS

Volumes, dimensions and other measures are nominal and may vary by approximately 2%.

Total

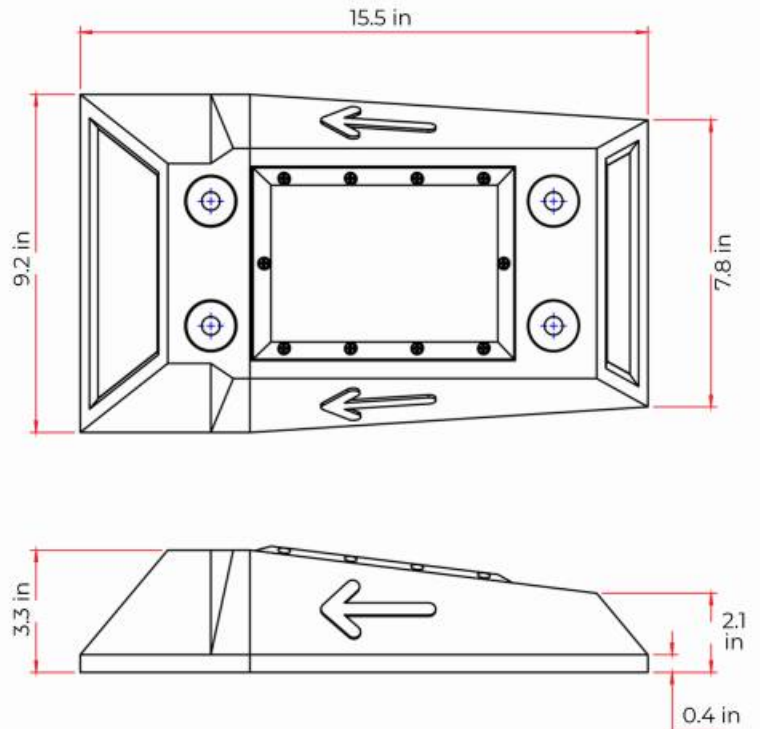
- Length: 15.5 in
- Width: 9.2 in
- Front Height: 3.3 in
- Back Height: 2.1 in

Reflector

- Amber or red

LED Color

- Amber, red or white



ANCHORING

