

FLEXIBLE VERTICAL PANEL LANE SEPARATOR

Code: PAC-66



WHAT'S A LANE SEPARATOR?

Parking stop with flexible vertical panel that divides lanes.

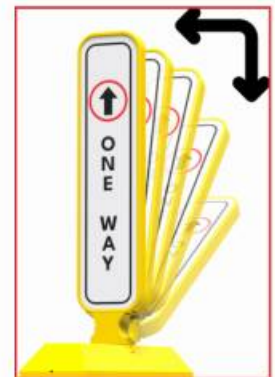
This lane separator, strategically directs the temporary contraflow lanes, detours and also condition to drivers to respect an exclusive lane.

Divides the restricted areas and road sectors to protect cyclists.

Mainly suggested in avenues or places where is intended to include a bike lane and it is necessary to reduce the speed.

FEATURES

- Lane separator with flexible vertical panel and impact-self-recovering system.
- Ideal for contraflow lanes and detours in temporary works.
- High visibility during night and a day.
- Design that allows an easy transportation, due to its heavy weight.
- It doesn't has cutting edges to prevent the damage of vehicles.
- Manufactured in polyethylene with UV protection.
- Base it is installed with 2 steel anchors; and is suggested to drown in epoxy resin for a better fastening. (not included).
- Vertical panel to indicate a message in both sides, ideal in contraflow streets.



FLEXIBLE VERTICAL PANEL LANE SEPARATOR

Code: PAC-66

MEASUREMENTS

Dimensions and other measures are nominal and may vary by +/- 2%.

Total

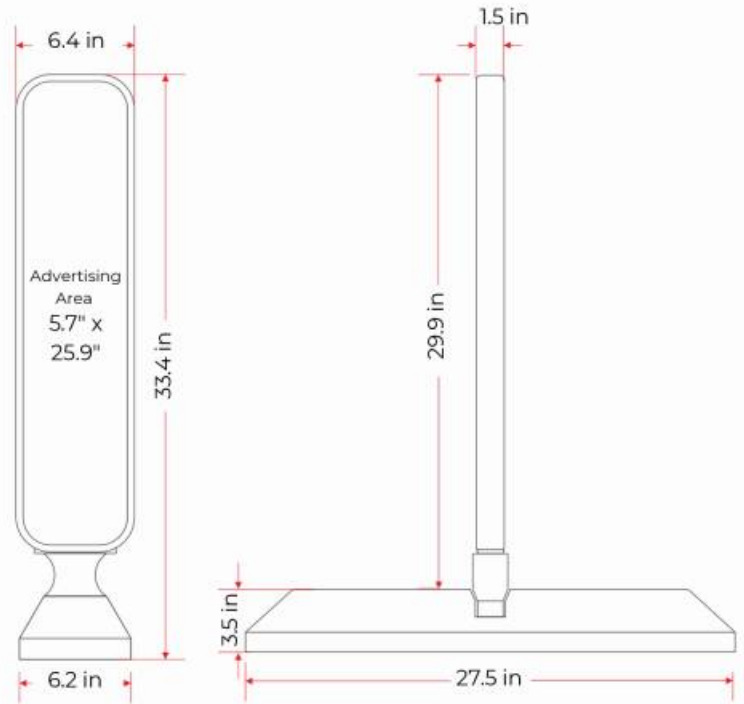
- Length: 27.5 in
- Width: 6.2 in
- Total Height: 33.4 in

Reflective Sheeting

- 2 faces

Reflective Sheeting Color

- According to the project



INSTALLATION

1. Mark the boreholes using a device as a guide.
2. Drill the boreholes with a ½" drill bit for concrete to a 3" depth (to use as a guide).
3. Place the lane separator, insert the anchors and nail them with a mallet until you reach the bottom, be careful to avoid the damage of the product.

DONE!

