

SOLAR BOOMERANG 10 LANE SEPARATOR

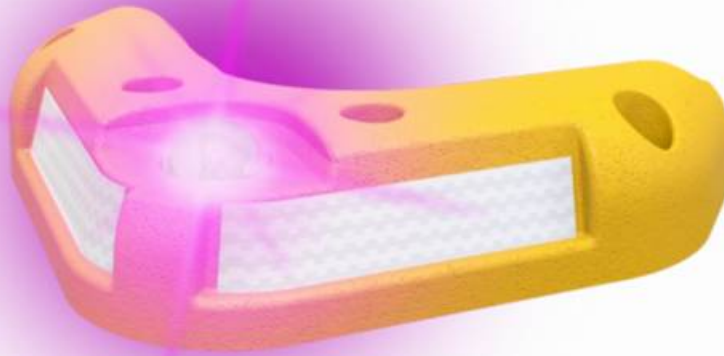
Code: C-BG-50-10S

WHAT'S A LANE SEPARATOR

Signaling device designed to direct traffic flow, and prevent vehicles from invade other lanes.

Lane separator has many applications, this can be used to confine exclusive roads of bike lanes or public transport routes, also as a center lane separator in counter-flow roads, to delimit forks of entrance, exit or high speed roads.

Restrictive element that prevents drivers from avoid lanes or specific zones that require a protection from traffic flow.



FEATURES

- Manufactured in 100% recyclable medium-density polyethylene in one-piece.
- Integrated green or yellow color, with UV-protection.
- Resistant to inclemency, no maintenance required.
- High resistance to vehicle's impacts, unbreakable device.
- 6 anchoring points to guarantee its fastening to the floor. Easy to install with both, bolt anchor or "Extralarge" screw.
- 6 integrated areas for reflective, that adds frontal and back visibility.
- Design with rounded edges, without sharp or cutting borders to protect cyclists and motorists.
- Option to include a solar sphere, increasing visibility at long-distance.

LIGHTING SYSTEM

- Polycarbonate colorless sphere.
- Intelligent Solar System.
- JVM circuit that synchronize flashing up to 114 ft.
- Solar panel and high-efficiency electronic system.
- Ultra-bright LED's in pink, amber, blue, white or red color.



SOLAR BOOMERANG 10 LANE SEPARATOR

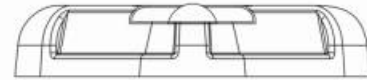
Code: C-BG-50-10S

MEASUREMENTS

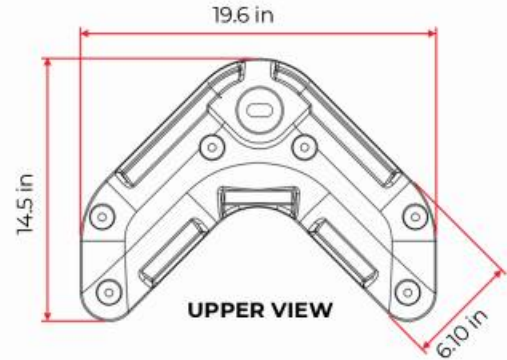
Dimensions, and other measures are nominal and may vary by +/- 2%.

- Total**
- Length: 19.6 in
 - Width: 14.5 in
 - Height: 10.0 mm
- Color**
- Green or yellow
- LED's Color**
- White, amber, red or pink

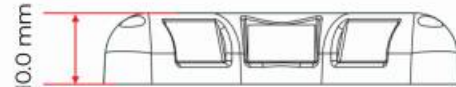
SIDE VIEW



FRONT VIEW



UPPER VIEW



BACK VIEW



ASPHALT ANCHORING



- Steel Nail (1/2" x 9.8 in)

CONCRETE ANCHORING



- "Extralarge" Wall Plug (3/4" x 5.5 in)
- "Ultrafix" Screw (3/8" x 5.9 in)