

## FLEXIBLE VERTICAL PANEL 50

Code: PC-50



### WHAT'S A VERTICAL PANEL?

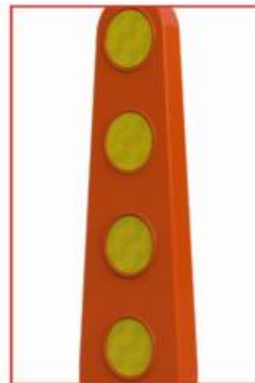
Vertical panel 100% flexible with heavyweight base that can be fixed or movable.

Accessory placed to crate restricted areas for the traffic control in parking lots.

In addition, is functional as a transit lane separator in vehicle barriers, detours, highways, roads and counter flow lanes.

### FEATURES

- Ideal to carry on vehicles, due its size.
- Resists multiple involuntary run overs of vehicles.
- Vertical panel made of Poliflexy® in orange color, material that doesn't damage vehicles.
- Its base is made of black polyethylene, helping to the stability.
- The vertical panel includes 4 prismatic reflective circles in red, yellow or white color per face, helping to a better visibility at night.
- Ideal height to be seen at further distances.
- Resistant to environment, UV rays and extreme temperature changes.
- Easy to install with epoxy glue.
- Can be movable.



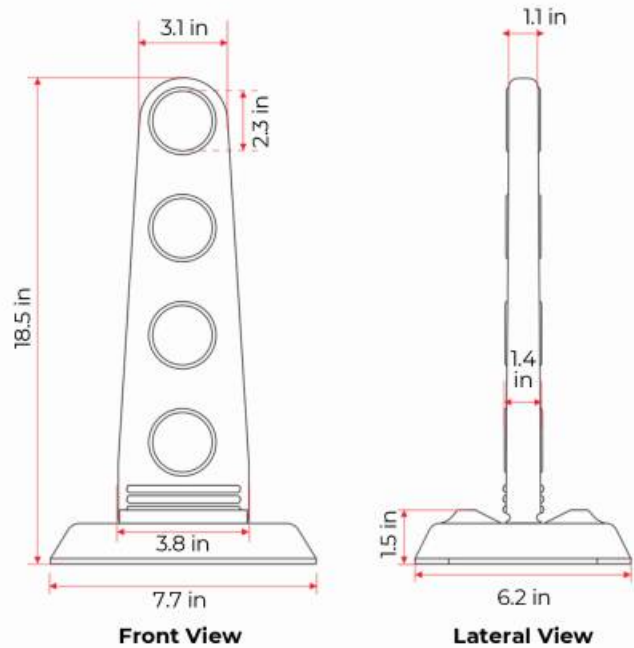
# FLEXIBLE VERTICAL PANEL 50

Code: PC-50

## MEASUREMENTS

Dimensions and other measures are nominal and may vary by + / - 2%.

- |                                 |   |
|---------------------------------|---|
| <b>Total</b>                    | <ul style="list-style-type: none"> <li>• Base Length: 7.7 in</li> <li>• Width: 6.2 in</li> <li>• Total Height: 18.5 in</li> </ul> |
| <b>Reflective Tape</b>          | <ul style="list-style-type: none"> <li>• 4 circles per face</li> </ul>  |
| <b>Color of Reflective Tape</b> | <ul style="list-style-type: none"> <li>• Yellow, white or red</li> </ul>  |



## ANCHORING

For a FIXED installation:

1. Clean the area from dust and oil.
2. Mark the position or area where the panels will be installed.
3. Spread enough epoxy resin on the base of the panel (approx. 7.0 oz) make sure to reach the borders, this will help to a better adherence to concrete.
4. Make sure to place it in the position that the traffic flow indicates and exert some pressure on the device; it doesn't matter if the epoxy glue comes out, this will help.

**Note:** to prepare the epoxy resin, mix the same quantity of component "A"+ "B" until homogeneous mixture is obtained.

