

## FLEXIBLE VERTICAL PANEL

Code: VF-31



### WHAT'S A VERTICAL PANEL?

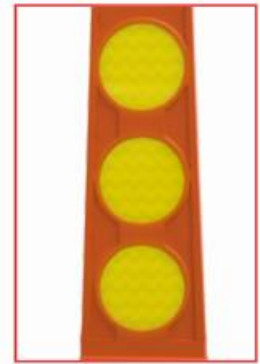
Flexible vertical panel with fixed squared base.

The main function is to persuade motorist of obstacles, sign and avoid vehicles invade prohibited zones.

Mainly suggested in parking lots, detours, impeding vehicles park in forks or invade danger zones, ideal for two way roads or reversible tracks

### FEATURES

- Ideal to place in forks, counter flow streets or high risk points, in high speed tracks or highways.
- Withstand multiple involuntary run overs of vehicles.
- Vertical panel manufactured in Poliflexy® in orange color, material that doesn't damage vehicles.
- ABS rigid base in black color with one or two reflective faces of metal methacrylate in amber, white or red color.
- Stackable device, reducing transport and store costs.
- Resistant to environment, corrosion, oxidation; with UV protection.
- The vertical panel include 3 prismatic reflective circles in red, yellow or white helping to a better visibility at night, even during day.
- Easy installation: epoxy glue or can be movable.



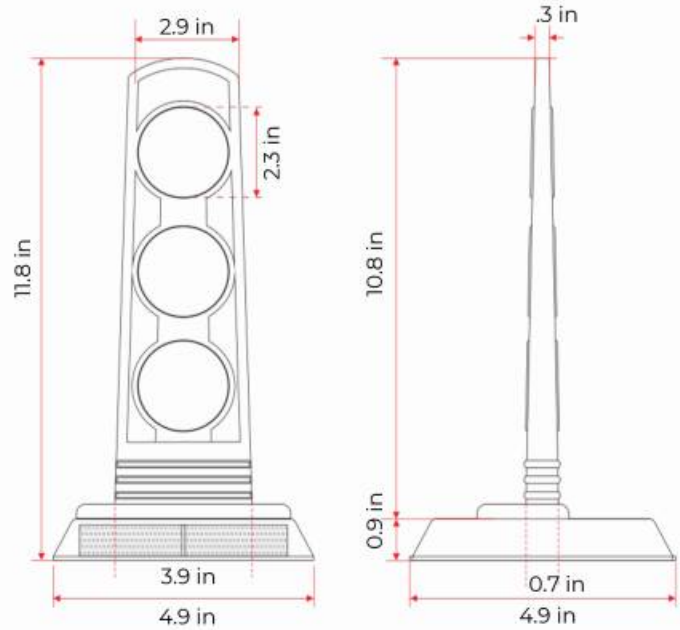
# FLEXIBLE VERTICAL PANEL

Code: VF-31

## MEASUREMENTS

Dimensions and other measures are nominal and may vary by + / - 2%.

- Total**
  - Base: 4.9 x 4.9 in
  - Total Height: 11.8 in
- Reflective Tape**
  - 3 circles per face
- Color of Reflective Tape**
  - Yellow, white or red



Front View

Lateral View

## ANCHORING

1. Clean the surface and make sure is free of oil and dust.
2. Mark the position where the panels will be installed.
3. Spread epoxy on the base of the panel (approx. 7.0 oz) make sure to reach the borders, helping to a better adherence to concrete.
4. Make sure to place it in the position that indicates the direction of traffic and exert some pressure on the device, it doesn't matter if the epoxy comes out, this will help.

**Note:** To prepare the epoxy resin is necessary to mix the same quantity of component "A" + "B" until an homogeneous mixture is obtained.

