

FLEXIBLE VERTICAL PANEL 40

Code: PC-40

WHAT'S A VERTICAL PANEL?

Vertical panel 100% flexible with heavyweight base that can be affixed to the floor or can be handled.

The main function of this device is to dissuade driver from obstacles, sign and avoid these invade prohibited zones.

Mainly suggested in parking lots and diversions, impeding vehicles from placing in forks or invade danger zones and two way roads.



FEATURES

- Ideal to place in forks, counter flow streets and high risk points in highways or fast tracks.
- Withstand multiple involuntary run overs of vehicles.
- Vertical panel made of Poliflexy® in orange color, material that doesn't damage vehicles.
- Its base is made of black polyethylene, helping to the stability.
- The vertical panel includes three prismatic reflective circles in red yellow, or white color per face, that help to the visibility during night.
- Resistant to environment, UV rays and extreme temperature changes.
- Easy to install with epoxy glue.
- Can be movable.



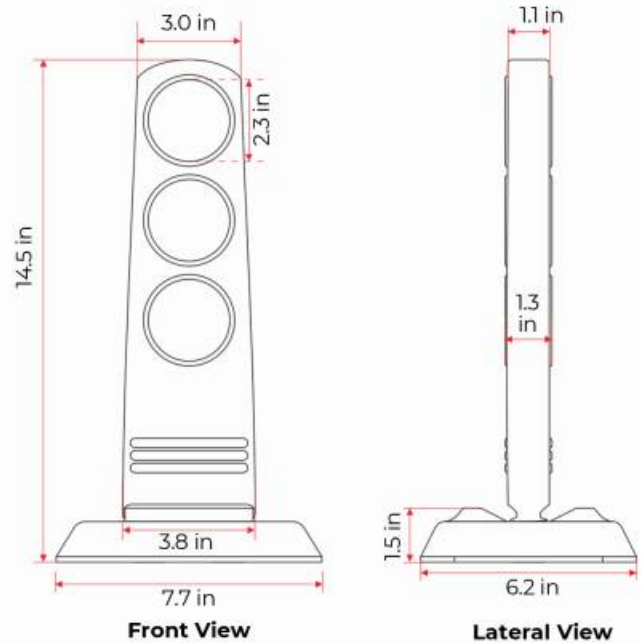
FLEXIBLE VERTICAL PANEL 40

Code: PC-40

MEASUREMENTS

Dimensions and other measures are nominal and may vary by +/- 2%.

- | | |
|---------------------------------|--|
| Total | <ul style="list-style-type: none"> • Base Length: 7.7 in • Width: 6.2 in • Total Width: 14.5 in |
| Reflective Tape | <ul style="list-style-type: none"> • 3 circles per face |
| Color of Reflective Tape | <ul style="list-style-type: none"> • Yellow, white or red |



ANCHORING

1. Clean the surface and make sure is free of oil and dust.
2. Mark the position where the panels will be installed.
3. Spread epoxy on the base of the panel (approx. 7.0 oz) make sure to reach the borders, helping to a better adherence to concrete.
4. Make sure to place it in the position that indicates the direction of traffic and exert some pressure on the device, it doesn't matter if the epoxy comes out, this will help.

Note: To prepare the epoxy resin is necessary to mix the same quantity of component "A" + "B" until an homogeneous mixture is obtained.

