

UNIX VERTICAL PANEL BARRICADE

Code: PIX-120B-CL PIX-120B-IL PIX-120B-1C/2C



WHAT'S A UNIX VERTICAL PANEL?

This is an excellent flexible barricade for road signaling, which function is guide, prevent and restrict driver and pedestrian from any access or paths.

Perfect to limit spaces, preventing with security to streets, avenues or bike lanes, et al.

OPTIONS:

- Panel with customized labels in one or two faces.
- Full body with LED lighting.
- Circle sign with LED lighting.

Note: The options with LED lighting have acrylic mica and top cover, with 4 photocells, 3.7 V rechargeable battery, ultrabright LEDs in white color of 5000 °K and 250 lumens.

FEATURES

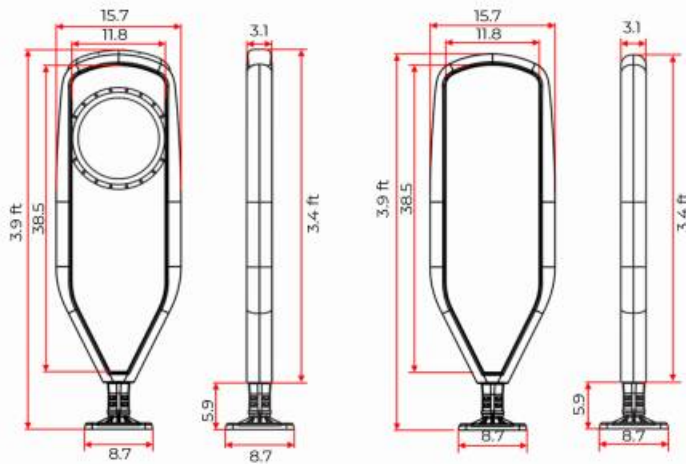
- Its dimensions and design attract people's attention, preventing impacts and confusions.
- Its effective signaling allows a quick interpreting of danger and warning.
- Manufactured in polyethylene, withstand multiple impacts.
- With 3 support options:
 1. Base manufactured in ABS, creating a flexible device.
 2. Base with sand ballast, for a movable device.
 3. 2" RHS, which is drowned for its permanent installation.
- Signs can be customized according to the usage of the Unix Vertical Panel.
- Panel in black color with UV protection, resistant to humidity and extreme temperature changes.



UNIX VERTICAL PANEL BARRICADE

Code: PIX-120B-CL PIX-120B-IL PIX-120B-1C/2C

Dimensions in in and ft

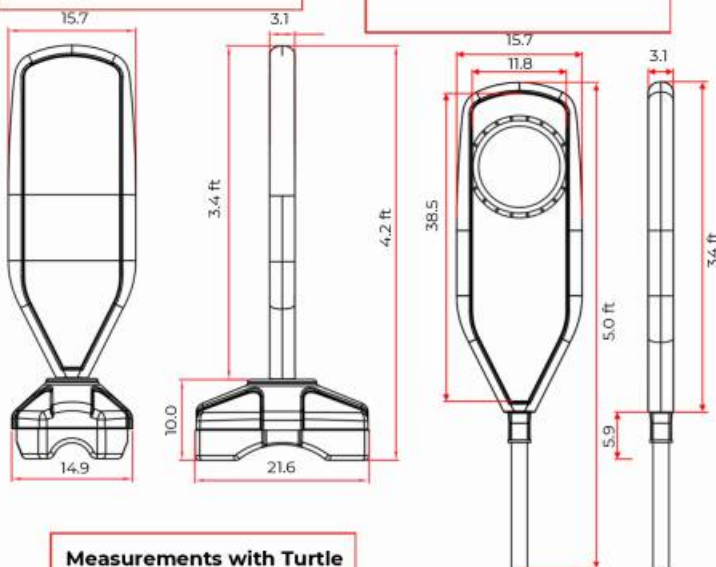


Measurements with Cover (for LED lighting)

- Length: 15.7 in
- Width: 8.7 in
- Total Height: 3.9 ft

Measurements without Cover

- Length: 15.7 in
- Width: 8.7 in
- Total Height: 3.9 ft



Measurements with Turtle Base

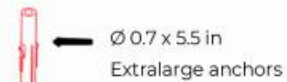
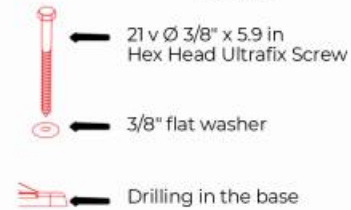
- Length: 21.6 in
- Width: 14.9 in
- Total Height: 4.2 ft
- Height with Cover: 4.3 ft

Measurements with Steel Base (Post)

- Length: 15.7 in
- Width: 8.7 in
- Total Height: 5.0 ft
- Height with Cover: 5.1 ft

ANCHORING

1. Mark the boreholes in the position where the panel will be installed.
2. Drill the boreholes with a 3/4" drill bit for concrete to a 7" depth.
3. Insert the extralarge anchors in every borehole,
4. Mount the panel and place the 3/8" flat washer with a 9/16" socket wrench, tighten and...
DONE!



UNIX VERTICAL PANEL BARRICADE

Code: PIX-120B-CL PIX-120B-IL PIX-120B-1C/2C



PIX-120B-CL

UNIX VERTICAL PANEL **FLEXIBLE**
BASE CIRCLE WITH LIGHT



PIX-120B-IL

UNIX VERTICAL PANEL **FLEXIBLE**
BASE FULL LIGHTING



PIX-120B-1C / 2C

UNIX VERTICAL PANEL **FLEXIBLE**
BASE SIGN IN 1 OR 2 FACES



PIX-120BT-CL

UNIX VERTICAL PANEL **TURTLE**
BASE CIRCLE WITH LIGHT



PIX-120BT-IL

UNIX VERTICAL PANEL **TURTLE**
BASE FULL LIGHTING



PIX-120BT-1C / 2C

UNIX VERTICAL PANEL **TURTLE**
BASE SIGN IN 1 OR 2 FACES



PIX-120PA-CL

UNIX VERTICAL PANEL **STEEL BASE**
CIRCLE WITH LIGHT



PIX-120PA-IL

UNIX VERTICAL PANEL **STEEL BASE**
FULL LIGHTING



PIX-120PA-1C / 2C

UNIX VERTICAL PANEL **STEEL BASE**
SIGN IN ONE OR TWO FACES