

FLEXIBLE DELINEATOR POST

Code: IT-AB-03, IT-AB-02, IT-AB-01



WHAT'S A FLEXIBLE DELINEATOR POST

Flexible post to delineate and sign spaces, this can be removable and convenient due to its modules.

With a base that adapts to floor.

Reflective tape for a better visibility at distance.

360° mobility and 45° inclination.

Ideal to regulate access control to vehicles in parking lots, schools, forks, et al.

FEATURES

- Useful device for works, counter flow lanes, diversions, forks, parking lots, et al.
- With protection against UV-rays, resistant to environment and extreme temperature changes.
- Withstand shocks and impacts, recovering its original position.
- Bold colors: yellow, blue, green, orange, or white.
- Reflective strips with high quality reflection during day and night.
- Thread type removable pieces.
- With 1, 2 or 3 modules for size changes.
- Easy to transport.
- Circular base with great stability and a spring at the center to return to its original position.
- This post is anchored to the floor with 4 3/8" plugs, 4 5/16" x 2" length hex head screw, with flat washers and 5/16" socket wrench (not included).



FLEXIBLE DELINEATOR POST

Code: IT-AB-03, IT-AB-02, IT-AB-01

MEASUREMENTS

Dimensions, and other measures are nominal and may vary by +/- 2%.

Manufactured in • High Molecular Weight Polyethylene

Color • White, orange, yellow, black

Total Measures and Weight

1 module	20.0 in height	2.116 lb
2 modules	32.6 in height	2.627 lb
3 modules	3.6 ft height	3.251 lb

Material of the base • Medium Density Polyethylene

Color • Black

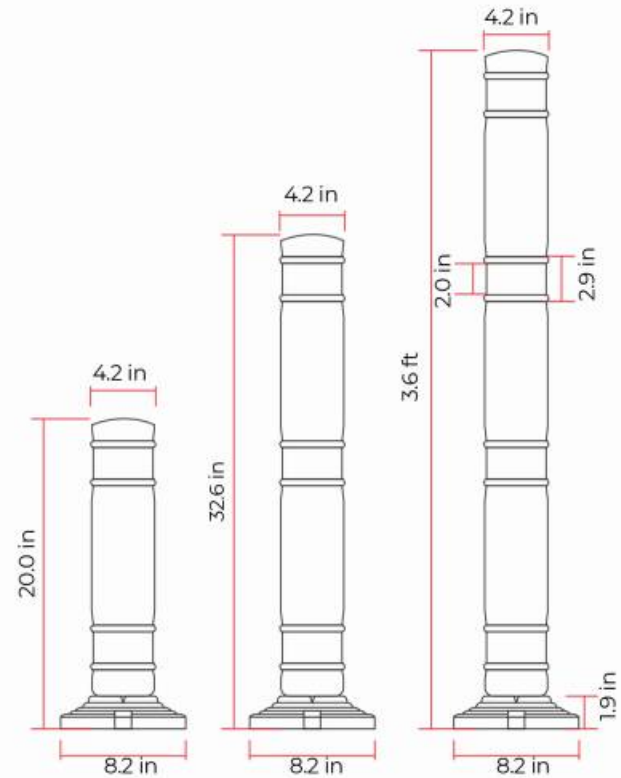
Reflective Ring (optional) • Engineer Grade, High Intensity or Prismatic.

Brightness (reflectometer 85°) • Over 40°

Stress Testing (300mm/min.) • Approx. 2.25 kgf

Heat Resistance (71 3° C x 24 hrs.) (159 37.4° F x 24 hrs.) • It doesn't affects

Cold Resistance (-57 3° C x 7 hrs.) (-70 37.4° F x 7 hrs.) • It doesn't affects



ANCHORING SYSTEM

1. Mark the position of the boreholes using the delineator post as a guide.
2. Drill with a 3/4" bit for concrete to a depth of 7".
3. Introduce the plugs on the boreholes, place the delineator post and insert the 3/8" x 5.9 in screws with flat washers.
4. Tight the 4 screws using a 9/16" socket wrench and your installation is...
DONE.

