

## SOLAR PYRAMID BOLLARD

Code: PIC-PIR-S



### WHAT'S A PYRAMID BOLLARD

Highly resistant and protective device with triangular design that includes 3 lighted faces to improve road's visibility from any angle.

Apart from decorate, it can embellish spaces, and its main function is to avoid vehicles invade prohibited zones, also used to delimit roads safely.

Ideal to install in residential and commercial zones.

### FEATURES

- Its pyramid design create an elegant device in any space.
- Essential device to limit areas such as pedestrian zones, entrances to corporate, medians, etc.
- Manufactured in medium density polyethylene.
- Inner steel reinforcement.
- Easy to handle and store.
- Easy to install with an embedded method.
- Resistant to UV-rays, humidity, oil and different extreme temperatures.
- Maintenance free.
- Contribute to a safer environment.
- Great durability.
- Useful for all surface types.
- Includes 3 reflective faces (optional).
- Option to include light.

#### SOLAR SYSTEM

- 85mm solar cell.
- 12 ultrabright LEDs (4 per face) in amber color.
- Acrylic with 10mm thickness; with front design for a better light spread.
- Flashing circuit of 60Hz per minute.



# SOLAR PYRAMID BOLLARD

Code: PIC-PIR-S

## MEASUREMENTS

Dimensions and other measures are nominal and may vary by +/- 2%.

**Total**

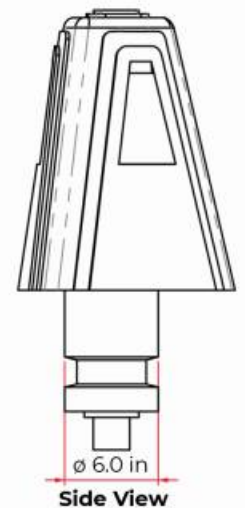
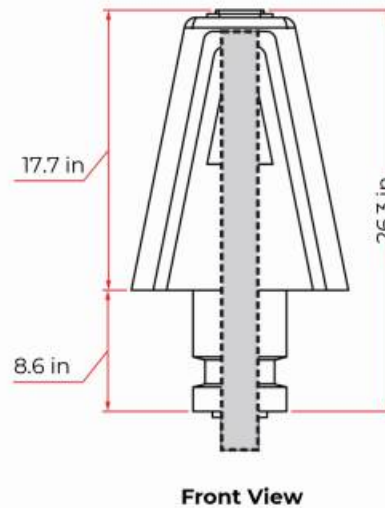
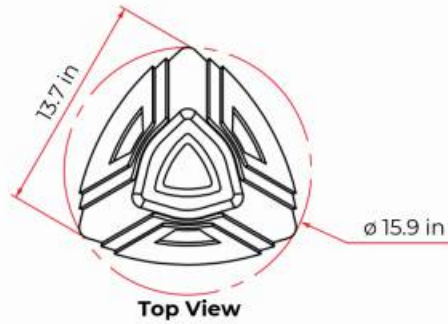
- Functional Height: 17.7 in
- Width per face: 13.7 in

**Reflective Tape**

- Height: 5.9 in
- Width: 3.9 in

**Color of Reflective Tape**

- Amber or white



## INSTALLATION

1. Mark the place of the bollard
2. Drill to a  $\varnothing 8"$  x 10" depth with the help of a hole saw, then, clean all the area and pour the mixture of cement, gravel and sand.
3. Insert the base of the bollard, level and perform the suitable final touches, clean and...

DONE!

