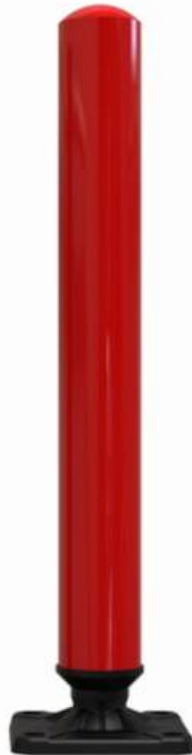


TUSCANY BOLLARD

Code: BO-TOS-F / BO-TOS-A



Fixed Bollard



Flexible Bollard

WHAT'S A BOLLARD?

Device manufactured in 14-gauge steel sheet, finished with a resistant, black, yellow, red, orange or green enamel, this device prevents the forbidden parking and warns motorists about the areas intended for pedestrian.

Perfect to maintain the order and safety in spaces with high flow, ensuring areas for pedestrians are free of obstructions and well delineated. Ideal for any area that requires a delineation and efficient direction of pedestrian transit.

Suitable for parks, public squares, malls, condominiums, restaurants, hotels, parking lot zones, warehouses, storage, stadiums, and more, this bollard offers an aesthetic and convenient solution to delineate spaces.

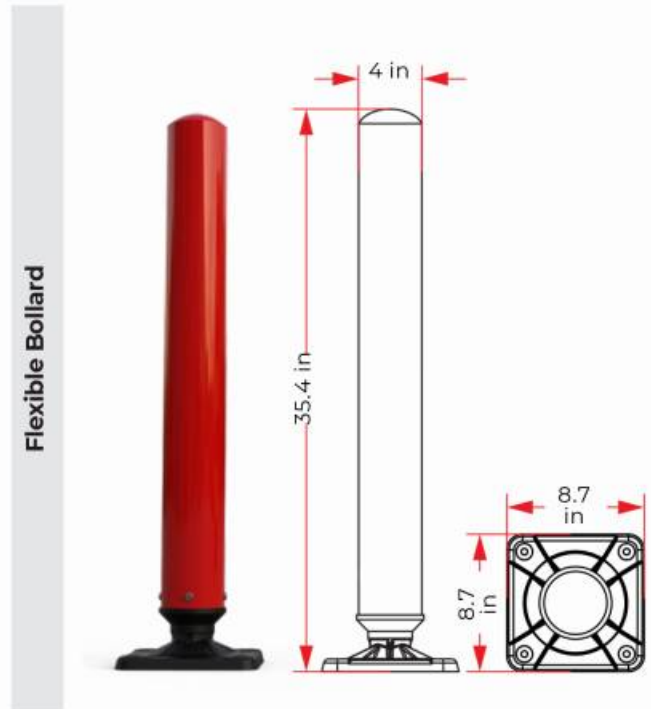
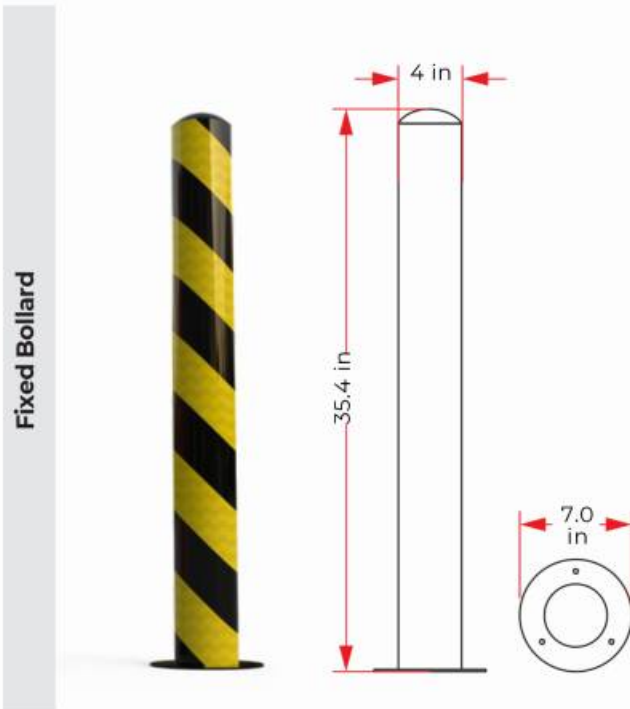
FEATURES

- Combines a classic design and significant presence with the necessary functionality and adaptability for any environment, from urban areas, to commercial and residential spaces.
- Elegant design adds a sophisticated touch to any space.
- Manufactured in steel, guaranteeing durability and resistance.
- Resistant to humidity and extreme temperature changes, ensuring longevity in different climate conditions.
- Two available versions:
 - Fixed: carbon steel base, immobile base (non reboundable or flexible), ideal for areas with a permanent delineation.
 - Flexible: ABS base and inner system that allows to bend if impact occurs, recovering its position after impact.
- Option to include caramel or hazard type reflective sheeting (red and white stripes) to enhance visibility and safety in low light conditions.
- Designed to withstand the heavy duty use and weather inclemency, conserving the appearance and functionality.



TUSCANY BOLLARD

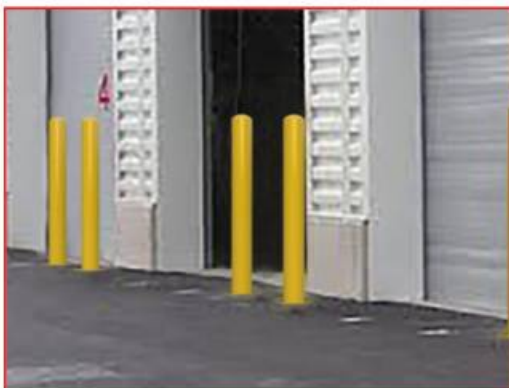
Code: BO-TOS-F / BO-TOS-A



MEASUREMENTS

Dimensions and other measures are nominal and may vary by + / - 2%.

	Fixed	Flexible
Body Diameter	4.00" (10.16 cm)	4.00" (10.16 cm)
Base Diameter	7.0" (18.0 cm)	8.7" x 8.7" (22.3 x 22.3 cm)
Total Height	35.4" (90.0 cm)	35.4" (90.0 cm)



Anchoring
 Ø 3/8" x 5.9"
Hex Head Ultrafix Screw
 Ø 0.7" x 5.5"
Extralarge Anchor

ANCHORING

1. Mark the boreholes where the bollards will be placed.
2. Drill the boreholes with a 3/4" drill bit for concrete to a 7" depth.
3. Insert the extralarge anchors in every borehole and mount the bollard.
4. Place the 3/8" screw/flat washer and tighten with a 9/16" socket wrench.

DONE!

