

VIENNA BOLLARD

Code: PIC-VI-I

WHAT'S A BOLLARD?

High end urban furniture, manufactured with rigorous processes to obtain durability; both faces include reflective sheeting, improving road visibility.

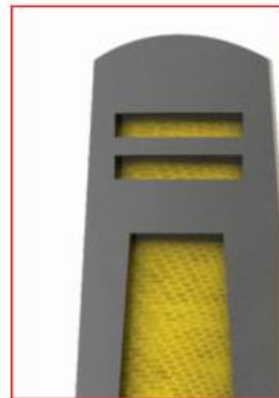
Its function is avoid vehicles invade prohibited zones and delimit roads safely.

Mainly suggested in rows, impeding vehicles place in sidewalks or invade a restricted zone.



FEATURES

- Modern bollard with robust body.
- Contribute to a safe and high standard environment.
- Manufactured in polyethylene in black or grey color (other colors upon request).
- UV-ray protection.
- Tubular steel skeleton with greater resistance to impact.
- Maintenance free, easy to handle.
- Great durability.
- Ample reflective zone for better night visibility.
- Ideal height to see at long distances.
- Its installation is embedded to the floor.



VIENNA BOLLARD

Code: PIC-VI-I

MEASUREMENTS

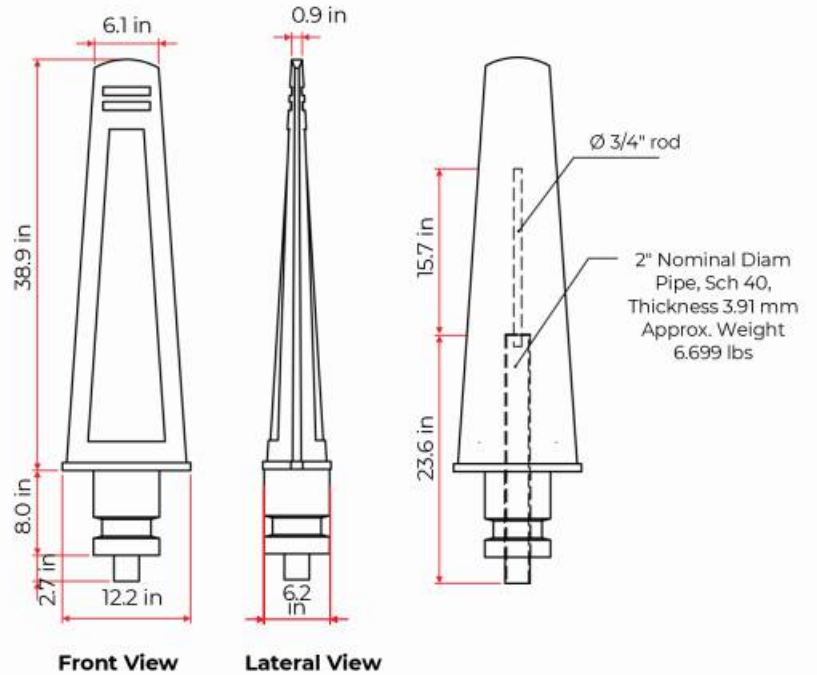
Dimensions and other measures are nominal and may vary by + / - 2%.

Total

- Length: 12.2 in
- Width: 6.2 in
- Functional Height: 38.9 in
- in

Color of Reflective Sheeting

- White or amber



ANCHORING

1. Mark the position of the boreholes
2. Drill to a diameter of 8" x 11" depth with a hole saw
3. Insert the base of the bollard
4. Make sure to fill with cement for a correct foundation.

DONE!

