

MINI PARKING STOP 55

Code: TPES-N-55



WHAT'S A PARKING STOP?

It is a device that effectively stops vehicles when parking on a space.

Its main function is guide and limit vehicles to correctly park.

In addition, helps to style parking lots, provides a better presentation, resistance to the constant impact of cars and greater durability than concrete stops.

FEATURES

- In contrast with the concrete or asphalt parking stop that needs replacements, the TPES- N-55 can provide a more flexible and resistant stop that doesn't crack neither break.
- Adaptable to any even surface.
- Ideal height to prevent damages in low height vehicles.
- Round edges to avoid damages.
- Molded in one piece and manufactured in polymer fusion; available in black color, maintaining its color for a longer time.
- 100 % recycled.
- Protection against UV-rays, resistance to humidity, oil and climate changes.
- Ideal for indoor or outdoor parking lots.
- Designed with a lateral strip that can be painted in yellow color or can be added with prismatic grade reflective in yellow or blue for better visibility.
- It has 2 boreholes for its possible installation.
- Easy to place and remove; with 2 1/6" X 6 1/2" steel anchors + epoxy resin (not included).



MINI PARKING STOP 55

Code: TPES-N-55

MEASUREMENTS

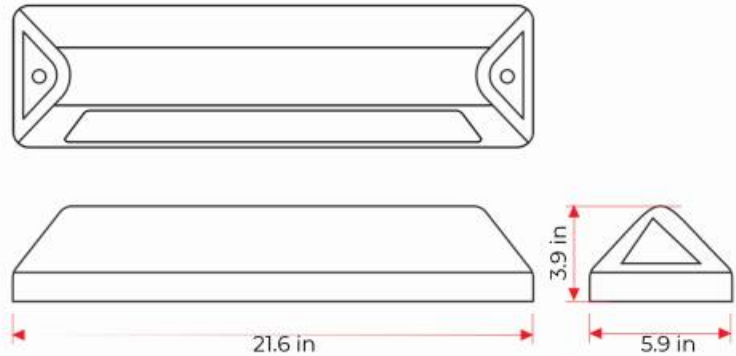
Volumes, dimensions and other measures are nominal and may vary by approximately 2%.

- Dimensions**
- Length: 21.6 in
 - Width: 5.9 in
 - Height: 3.9 in

- Color**
- Black

- Approx. weight**
- 8.598 lbs.

- Manufactured in**
- Polymer Fusion



ANCHORING

1. Mark the boreholes using the Mini Parking Stop as a guide.
2. Drill with a 1/2" drill bit to a 5" depth.
3. Fill with epoxy resin and place the Mini Parking Stop, then nail carefully the anchor to avoid the damage of the Mini Parking Stop.



Asphalt Anchoring
Steel Nail
(7/16" x 6.2 in)

