

LEADER 60 MINI PARKING STOP

Code: TPES-L-60

WHAT'S A PARKING STOP?



This device is created to delimit reserved zones to park vehicles on parking lots.

The main function of this device consists in guide vehicles the place to park.

Mainly suggested in outdoor and indoor parking lots.

FEATURES

- Excellent mini parking stop to use in pairs, thanks to its 23.6 length, enables to open the required space.
- Guide vehicles to park and protect the front part of the car from a bump.
- It has a better resistance, durability and functioning than concrete parking stops.
- Manufactured in polyethylene, material that doesn't damage to vehicles.
- With protection against UV-rays, oil and extreme temperature changes.
- Ideal height to avoid the damage of cars with low height.
- It has 4 lateral bands that can be painted or added with high reflection reflective sheeting, suitable to increase its visibility at long distances.
- Line Color: black for great durability.
- It includes 2 boreholes for an easy installation; and steel anchors (not included).



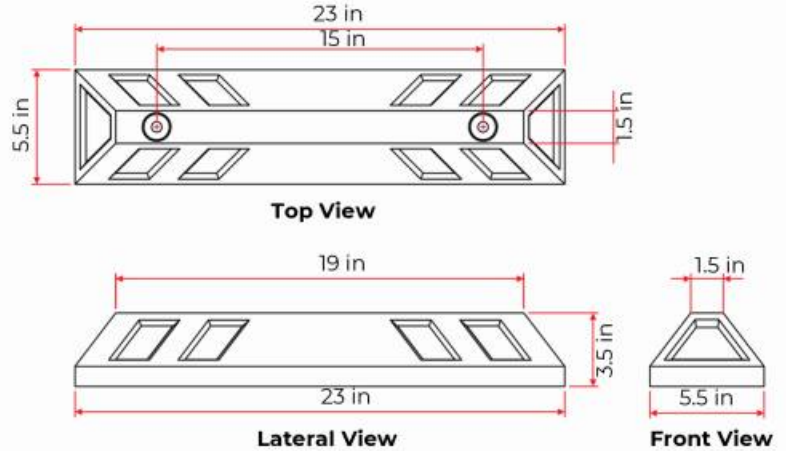
LEADER 60 MINI PARKING STOP

Code: TPES-L-60

MEASUREMENTS

Dimensions and other measures are nominal and may vary by + / - 2%.

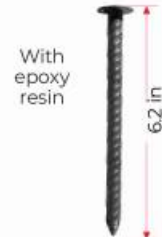
- Total**
 - Length: 23.6 in
 - Width: 5.5 in
 - Height: 3.5 in
- Reflective Sheeting**
 - Lateral
- Reflective Sheeting Color**
 - White or amber



ANCHORING

1. Mark the boreholes using the Mini Parking Stop as a guide.
2. Drill with a 1/2" drill bit to a 8" depth.
3. Fill with epoxy glue, place the Mini Parking Stop and nail the anchor carefully to avoid any damage to the Mini Parking Stop.

Note: For the epoxy glue is necessary to pour the same quantity of "A" + "B" components, stir until a homogeneous mixture is obtained and...
it is ready to use!



Asphalt Anchoring
Steel Nail
(3/8" x 6.2 in)

