

FORTE PARKING STOP

Code: TF-42



WHAT'S A PARKING STOP?

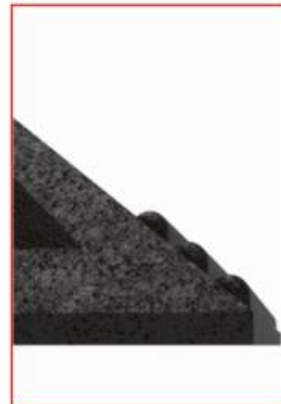
Device used to effectively stop cars when getting into parking spaces.

Its main function is guide and limit vehicles when parking.

Helping to protect cars and the infrastructure that surround us, effective devices when absorbing or cushioning impacts, helping to prevent damages in cars and pillars

FEATURES

- Compared to asphalt or concrete parking stops, our stops are more flexible and resistant; don't crack.
- Adaptable to any flat surface.
- Ideal height avoiding damage to cars.
- Round edges providing security to cars.
- Molded in one-piece and manufactured in medium density polyethylene in black; maintaining its color during longer time.
- 100 % recycled.
- UV-protection, resistant to humidity, oil and climate changes.
- Ideal for outer and inner parking lots.
- Designed with a front stripe in yellow, this can be painted or can be integrated with prismatic reflective, providing more visibility at long distances.
- 2 boreholes for its installation.
- Easy to install with two 7/16" X 13 in steel anchors + epoxy resin (not included).



FORTE PARKING STOP

Code: TF-42

MEASUREMENTS

Volumes, dimensions, and other measures are nominal and may vary by approximately 2%.

Total

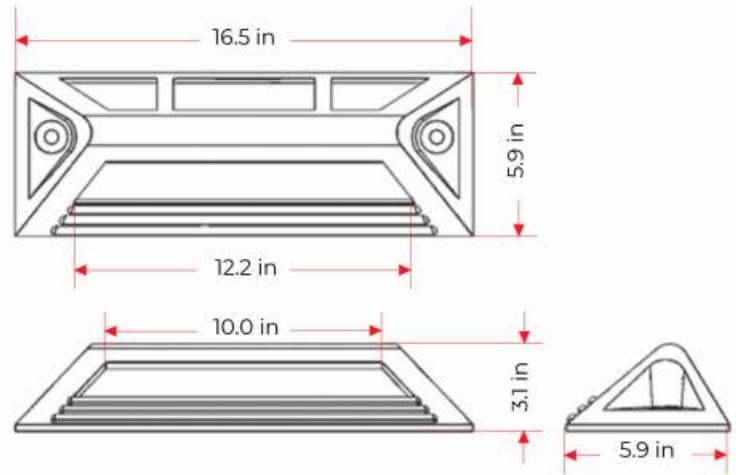
- Length: 16.5 in
- Width: 5.9 in
- Height: 3.1 in

Reflective

- Amber, white or blue, according to the project

Approx. Weight

- 2645.547 lb



ANCHORING PROCEDURE

1. Mark the position of the boreholes using the parking stop as a guide.
2. Drill with a 1/2" bit, to a depth of 5".
3. Fill the boreholes with epoxy resin.
4. Place the parking stop in its position
5. Spike the anchors (Steel Nail) without damaging the parking stop.



7/16" x 6.2 in
Steel Nail

