

PARKING STOP

Code: TPES-P-70

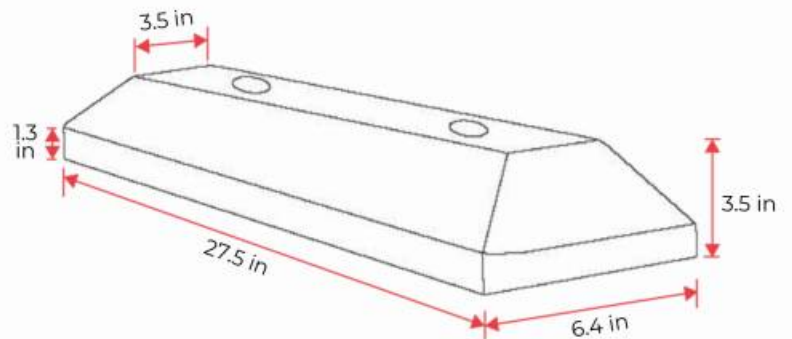
FEATURES



- Special for counter flow lanes and parking stops.
- Channelizer for light and heavy traffic.
- It is anchored with two embedded rods in epoxy resin.
- With UV protection.
- Design that allows an easy transport, due its light weight.
- Smooth surface, with round borders and without cutting edges.
- For its installation in necessary two nails and epoxy glue.

MEASUREMENTS

Dimensions and other measures are nominal and may vary by + / - 2%.



Total

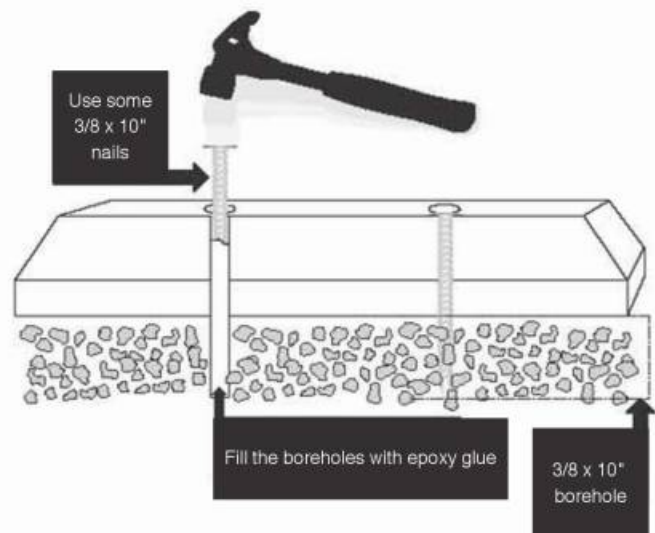
- Length: 27.5 in
- Width: 6.4 in
- Height 3.5 in

Weight

- 3968.321 lbs

Manufactured in

- High density polyethylene



PARKING STOP

TPES-P-70

TECHNICAL SPECIFICATIONS

Tensile Strength at Yield Point (ASTM D 638)	• 17.3 mpa
Tensile Strength at Breaking Point (ASTM D638)	• 27.2 mpa
Yield Point Elongation (ASTM D 638)	• 17.4 %
Elongation at Break (ASTM D 638)	• 1 500 %
Flexural Modulus (ASTM D 638)	• 610 mpa

Impact Strength Izod (ASTM D 256)	• 530 j/m
Tensile Impact Strength (ASTM D 1822)	• 163 kj/m ²
Impact 40°C (104 °F), 3.2 mm	• 23 900 j/m
Softening Point (vicat) (ASTM D 1525)	• 113°C or 235°F
Heat Deflection Temperature (ASTM D 648)	• 80°C or 176°F