

SUPERFLEXIBLE CONE

Code: CNSF-91 / CNSF-71 / CNSF-60 / CNSF-45

ADVANTAGES OF SUPER FLEXIBLE CONES

More resistant, this material with UV protection lasts 2 years without degradation.

Used in highways to alert drivers in works or accidents to be cautious.

Ideal to use in parking lots or in trunk, this cone takes up little space and is stackable.

Mainly suggested in work zones, places that require maintenance or any road repair, also used to sign danger or diversion.



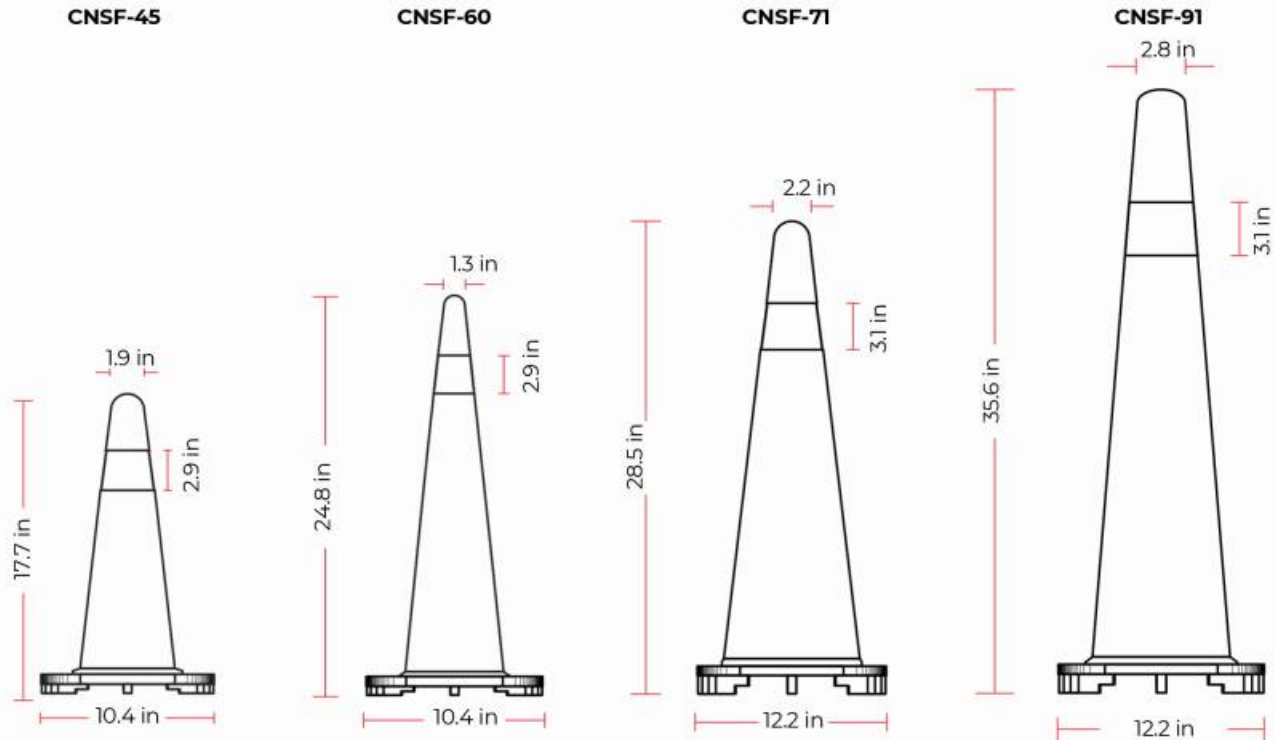
FEATURES

- Superflexible cones in 4 sizes: 17.7 in, 23.6 in, 27.9 in or 35.8 in.
- Body manufactured with flexible PVC, in one piece, providing great flexibility and high resistance to impacts.
- Square base made of solid PVC, resistant to tipping.
- Flexible with memory (recovers original shapes if run over by vehicle).
- Divert traffic if necessary.
- The cone can also be considered as a marking to place in roads to temporary redirect traffic safely.
- Used to create separation or fusion of lanes during construction projects of highways or automobile accident.
- Its design and weight help to withstand winds of up to 43.4 mph.
- Stackable, facilitating transport and storage.
- Reflective ring to increase visibility during night, can be used with or without reflective bands (optional), alerting drivers in low light conditions.



SUPERFLEXIBLE CONE

Code: CNSF-91 / CNSF-71 / CNSF-60 / CNSF-45



MEASUREMENTS

Dimensions and other measures are nominal and may vary by +/- 2 %.

- CNSF-45**
 - Height: 17.7 in
 - Base: 10.4x10.4 in
- CNSF-60**
 - Height: 23.6 in
 - Base: 10.4 x 10.4 in
- CNSF-71**
 - Height: 27.9 in
 - Base: 12.2 x 12.2 in
- CNSF-91**
 - Height: 35.8 in
 - Base: 12.2 x 12.2 in
- Reflective Band**
 - 1 ring in white color
 - 2 rings in white color (optional)



SUPERFLEXIBLE CONE

Code: CNSF-91 / CNSF-71 / CNSF-60 / CNSF-45

Product Code	Measurements	Pieces per pallet
CNSF-45	Height: 17.7 in Base: 10.4x10.4 in	450 pcs.
CNSF-71	Height: 27.9 in Base: 12.2 x 12.2 in	180 pcs.
CNSF-91	Height: 35.8 in Base: 12.2 x 12.2 in	140 pcs.