

CONE 45

Code: CNY-45

FEATURES



- Semi-flexible cone.
- Withstands shocks and impacts.
- Made in single piece.
- Square base without cutting edges to avoid injuries.
- Thanks to the design, color and size, this is easy to identify at night and day.
- Resistant to environment, extreme temperature changes.
- UV protection.
- Useful in detours, road works, contraflows, landslides and traffic accidents.

MEASUREMENTS

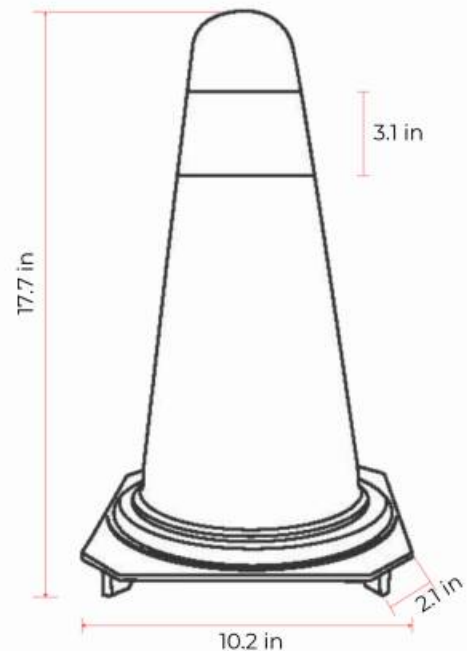
Dimensions and other measures are nominal and may vary by + - 2 %.

Made of • High density polyethylene

Color • Yellow

Measurements • Square base: 10.2 in per side
• Height: 45 cm (18")

Around Weight • 24.4 oz



CONE 45

Code: CNY-45

TECHNICAL SPECIFICATIONS

Tensile Strength at Yield Point (ASTM D 638)	• 17.3 mpa	Impact Strength Izod (ASTM D 256)	• 530 j/m
Tensile Strength at Breaking Point (ASTM D638)	• 27.2 mpa	Tensile Impact Strength (ASTM D 1822)	• 163 kj/m2
Yield Point Elongation (ASTM D 638)	• 17.4 %	Impact arm 40°C/104°F, 3.2 mm	• 23 900 j/m
Elongation at Break (ASTM D 638)	• 1 500 %	Softening Point (vicat) (ASTM D 1525)	• 113°C/235°F
Flexural Modulus (ASTM D 638)	• 610 mpa	Heat Deflection Temperature (ASTM D 648)	• 80°C/176°F

REFLECTIVE MATERIAL (OPT)

- Engineer Grade

Brightness (reflectometer 85°) • Over 40°

Tensile Testing (300 mm/min.) • Around 2.25 kgf

Heat Resistance (71 + - 3°C x 24 hrs.) (159 + - 37°F x 24 hrs.) • It doesn't affects

Cold Resistance (-57 + - 3°C x 7 hrs.) (-70 + - 37°F x 7 hrs.) • It doesn't affects