

## CONE 35, 60 & 75

Code: CN-35 / CN-60 / CN-75

### FEATURES

- Semi-flexible cones.
- Hexagonal base.
- Resistant to shocks and impacts.
- UV protection.
- Base can be filled with sand (included) to increase stability.
- Ideal to use in zones with strong winds, withstanding 43 mph winds.
- Suitable to use in indoors and outdoors.
- In compliance with night work standards.
- Stackable.
- Reflective bands (optional).

#### CN-35

- Functional to use in sections in repair.

#### CN-60

- Designed to use in parking lots, factories or industries.

#### CN-75

- Useful in road works, contraflow lanes or places where is required to sign an accident.

### MEASUREMENTS

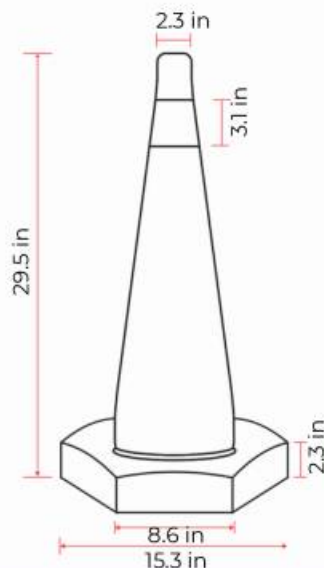
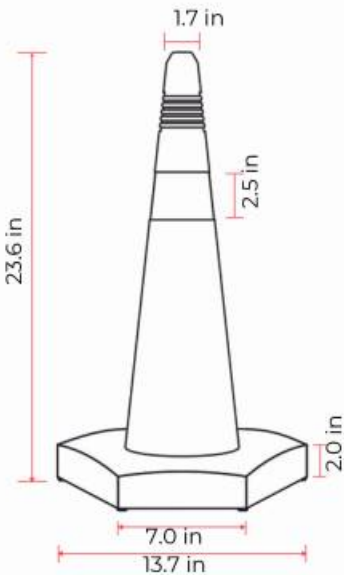
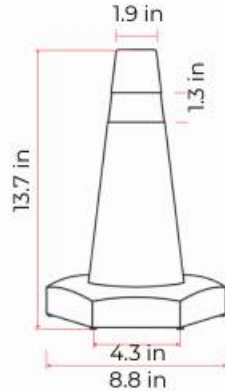
Dimensions and other measures are nominal and may vary by + - 2 %.

#### Manufactured with

- Medium density polyethylene

#### Color

- Transit Orange
- CN-60 & CN-75: with black base



	Hexagonal Base	Width	Height	Weight
<b>CN-35</b>	8.8 in (4.3 per side)	---	35 cm (14")	10.5 oz
<b>CN-60</b>	7.0 in per side	13.7 in	60 cm (24")	33.6 oz
<b>CN-75</b>	8.6 in per side	15.3 in	75 cm (29 1/2")	11739 lbs

## CONE 35, 60 & 75

Code: CN-35 / CN-60 / CN-75

### TECHNICAL SPECIFICATIONS

<b>Tensile Strength at Yield Point (ASTM D 638)</b>	• 17.3 mpa	<b>Impact Strength Izod (ASTM D 256)</b>	• 530 j/m
<b>Tensile Strength at Breaking Point (ASTM D638)</b>	• 27.2 mpa	<b>Tensile Impact Strength (ASTM D 1822)</b>	• 163 kj/m2
<b>Yield Point Elongation (ASTM D 638)</b>	• 17.4 %	<b>Impacto arm 40°C, 3.2 mm</b>	• 23 900 j/m
<b>Elongation at Break (ASTM D 638)</b>	• 1 500 %	<b>Softening Point (vicat) (ASTM D 1525)</b>	• 113°C/235°F
<b>Flexural Modulus (ASTM D 638)</b>	• 610 mpa	<b>Heat Deflection Temperature (ASTM D 648)</b>	• 80°C/176°F

### REFLECTIVE MATERIAL (OPT)

- Engineer grade

**Brightness (reflectometer 85°)** • Over 40°

**Tensile Testing (300 mm/min.)** • Cerca de 2.25 kgf

**Heat Resistance (71 + - 3°C x 24 hrs.) (159 + - 37.4°F x 24 hrs.)** • It doesn't affects

**Cold Resistance (-57 + - 3°C x 7 hrs.) (-70 + - 37.4°F x 7 hrs.)** • It doesn't affects