

DELUXE STREET SIGN

Code: NOM-LUJ-119

FEATURES

- Deluxe street sign is designed to satisfy current needs, where durability and resistance are essential without disregard economy and aesthetics.
- Enhance the environment where is installed, providing a distinctive touch and quality.
- Dimensions allow a clear and precise reading, that ease direction to any place.
- Space to include adds, logos or emblems. .
- Manufactured in high quality plastic, with great durability and maximum resistance, non-deformable to temperature changes and degradation caused by UV rays.
- Post with electrostatic paint in black, silver or natural galvanized color.
- Pyramid-shaped top with a 12 in height or in ball-shaped.



MEASUREMENTS

Dimensions and other measures are nominal and may vary by + - 2%.

Manufactured in

- PVC

Small

- Length: 3.9 ft
- Height: 11.7 in
- Width: 6.6 in

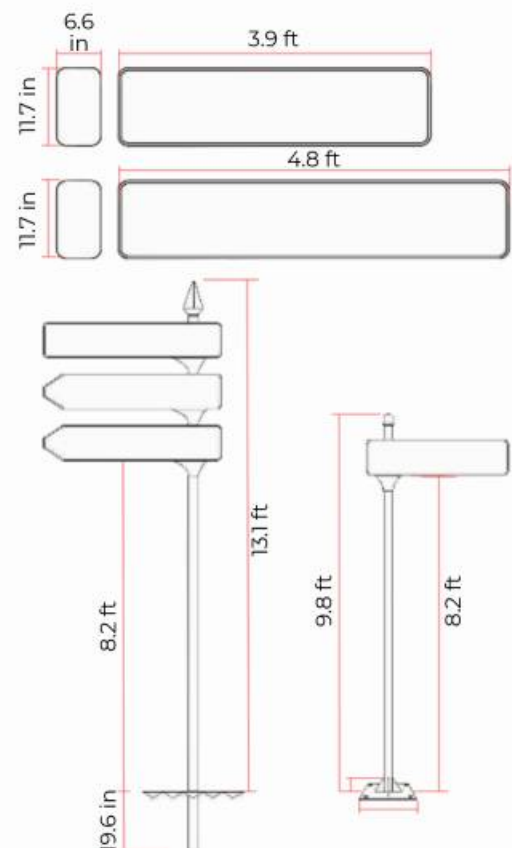
Module dimensions

Big

- Length: 4.8 ft
- Height: 11.7 in
- Width: 6.6 in

Colors

- Black, grey, aluminum or yellow



DELUXE STREET SIGN

Code: NOM-LUJ-119

SPECIFICATIONS

Embedded

- 11.4 ft to embed in floor to 19.6 in

Support

- Each module in reinforced plastic and steel washer

Background or sign

- Engineer grade reflective sheeting, texts in vinyl or digital printing (according to project)

Dimensions of Post

Post	16-gauge, 3" post with electrostatic paint in black, silver or natural galvanized color.
1 module	9.8 ft with 13.7 x 13.7 in and ½" thickness, with boreholes to install with screws and anchors of ½" x 3 ½" (is recommended this version to place on concrete with a minimum of 6" thickness, as completely smooth)
2 or 3 modules	14.7 ft to embed on floor to 19.6 in, floor height to the first module must be 8.2 ft as a minimum.

