

SOLAR STREET SIGN 90/ 24W 4V

Code: NOM-90S



EVERY NIGHT MORE... PRETTY AND SAFE

- Vandal-proof solar street sign 90; luminosity in all its splendor.
- Street sign with proper light that embellishes your city and avenues.
- It indicate to users the names, types of road or demarcation where we are located, direction of circulation and in some cases the street and house numbering, it doesn't matter the hours, this is always visible.
- We also recommend to set in a POSTEFLEX®.
- It can be used in an existent or proper post, preferably in corners of junctions of roads.
- Ideal in strategic zones with ser high pedestrian flow or meeting points.
- Geolocation technology with QR code for emergencies or security (optional).
- Register issued by the patent office IN PROCESS.
- Tecnología de geolocalización con código QR para emergencias o seguridad (opcional).
- Registro expedido por la oficina de patentes EN TRÁMITE.
- It comply with NOM-034-SCT2/SEDATU-2022.

FEATURES

- Street sign of vandal-proof body, manufactured in white polymer to pass light, designed in a single piece, this is integrated with 2 tabs to affix to post.
- In addition, less weight than one of steel, ensuring pedestrian in possible accidents, likewise it has zero resale commercial value in case of theft.
- Curved front to accept any type of flexible film with adherence to label in both sides, with 8-10 years of durability.
- Resistant to inclemency and temperature changes with UV protection.
- 30 years of life-span dut it doesn't rusts.
- 100 % recyclable.
- Easy installation(stainless steel strap).
- Tubular post or RHS (optional); finish in black color paint or galvanized in yellow or grey Posteflex®.
- Pyramid finial.

SOLAR SYSTEM

- 2 photocells of 60mm x 360mm, each of 4V, 800mA, 3.2W.
- Strip of SMT white ultra-bright latest generation LEDs.
- Aluminum support for LEDS heat sink.
- 2 "AAA" batteries, of 1100 mA.
- JVM power supply circuit.



SOLAR STREET SIGN 90/ 24W 4V

Code: NOM-90S

MEASURES

Dimensions and other measures are nominal and may vary by + - 2 %.

Street Sign

- Total length: 39.3 in
- Width: 6.4 in
- Height: 16.5 in

Label area

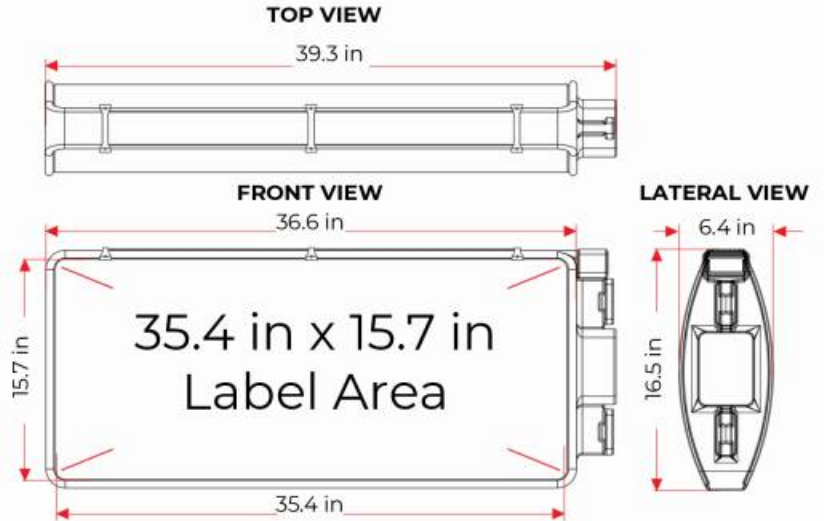
- 35.4 x 15.7 in

Label

- Both sides

Color of reflective sheeting

- Depends on project



SOLID DUO SOLAR STREET SIGN-90 & POSTEFLEX®

100% Vandal-proof
Resist impacts without deforming neither bending

