

PADDLE LAMP

Code: L-RQ-3



- 3D design of ventilation grilles in polyhedron shape, creates an effect of crossed ventilation, dissipating the heat efficiently, avoiding overheating.
- The alloy of copper, magnesium and aluminum allows a quick heat dissipation.
- Optical lens of high refraction with excellent light transmission rate.
- Elegant and unique design of a kind.
- Lamp body is available in red, yellow or green.
- It offers a powerful lighting thanks to 1, 2 or 3 integrated LEDs.
- It provides a stable and reliable energy.
- Ecofriendly.
- Reduced energy consumption, from a 50% to a 70% less than conventional lamps.
- Ideal for streets, avenues, parks, residential zones, factories or any outdoor area that needs lighting.

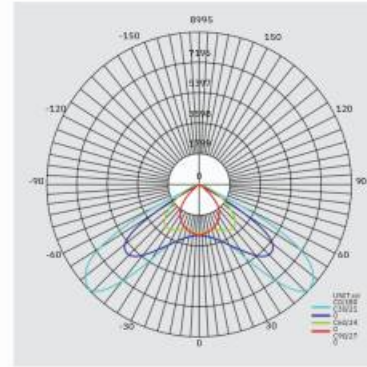
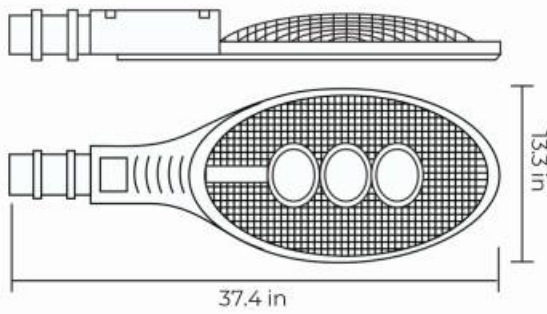
Measures:

- Width: 13.3 in.
- Length: 37.4 in

OPTICAL	# of Model	VTL-ST2 -80W	VTL-ST2 -100W	VTL-ST2 -120W	VTL-ST2 -140W	VTL-ST2 -90W	VTL-ST2 -120W	VTL-ST2 -150W
	Power Supply LED Consumption	2X40W	2X50W	2X60W	2X70W	3X30W	3X40W	3X50W
	Initial Flux LED	100 lm / per watt (* Pure White 6000K-6500k)						
	Lamp maintain Flux (*after the lens and thermal stabilization)	75lm-85lm/per watt (* Pure White 6000K-6500k)						
	Lighting (Enadir) (Power LED) = 150W PW6500K)	Mounting Height: 6M:> 79 lux Mounting Height: 8m:> 44 lux Mount - Height: 10M:> 29 lux Mount - Height: 12M:> 20 lux						
	CRI	WW: Ra> 60 PW: Ra> 70						
	Distribution curve of light	Asymmetric (ala del palo)						
	Beam angle	140 degrees						
	Light Decay	<15% (20.000 hours)						

PADDLE LAMP

Code: L-RQ-3



ELECTRIC	Input Voltage	AC85V-AC265V, AC277V + (50Hz-60Hz)
	Tensión de trabajo	36VDC
	TJ	55 ° C + - 10%
	Eficiencia de la lámpara	> 90%
	Factor de Potencia	> 0,95%
	Grado IP	IP65

MECHANIC	Dimensions	L95 * W34 * H19cm
	Net Weight	12,0 kg + - 5%
	Material	Aluminum Casting
	Work environment	Temperature: -40 ° C ~ 55 ° C Wet: 10% -90%
	Dimension of pipe for its installation	Ø 62 mm