

TOLEDO BENCH

Code: BA-TO-2000M/BA-TO-2000P/BA-TO-2000L



BA-TO-2000M



BA-TO-2000L



BA-TO-2000P

Toledo bench with incorporated arm rests in lateral supports has a design of pretty curved lines that transform into an conspicuous element or urban furniture.

Lateral supports provide necessary structure and resistance for people to seat comfortably.

The main function is offer seat and rest to pedestrians, improving quality of life and fostering the correct use of public spaces.

It also works as a complement that improve the infrastructure and urban furnishing, being part of the city image.

Manufactured in durable and resistant materials to temperature changes and tear for use in outdoors.

Benches are assembly with 2 structural supports with arm rest and center support.

Seat and back can manufacture in:

- Wooden planks with marine polyurethane enamel.
- Plasti-wood profiles.

12-gauge steel sheet that can incorporate a design or logo through laser cutting.

Applications: To install in parks, public squares, historic sites and others. The benches are essential elements in public spaces that generate a successful co-existence among citizens.

FEATURES

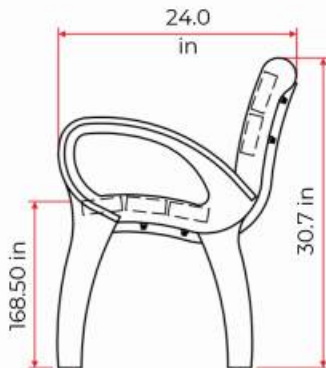
- Toledo bench is available in many sizes, from 3 to 5 people.
- Our benches combine elegance and comfort, perfect for activities as read, socialize with friends or family, wait for someone or just wait.
- Supports of benches are manufactured in 100% recycled MDPE, contributing to reduce greenhouse gas emissions through sustainable material use.
- These supports provide benches a solid structure and exceptional stability.
- Materials of Toledo bench guarantee durability before climate conditions.
- Requires minimum maintenance.
- Structural supports of bench are fixed to floor with "Ultrafix" screws of 3/8" x 5.9 in and "Extralarge" screws of 3/4" x 5.5 in, guaranteeing a safe and stable durability.



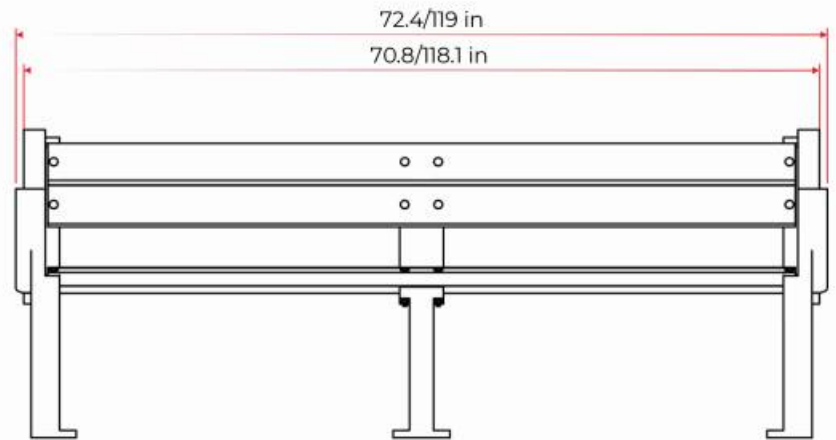
TOLEDO BENCH

Code: BA-TO-2000M/BA-TO-2000P/BA-TO-2000L

Lateral View



Front View



MEASURES

Dimensions and other measures are nominal and may vary by +/- 2%.

- Total**
- Length: 70.8 in or 118.11 in
 - Width: 24.0 in
 - Height: 30.7 in

