

TOTEM - 170

Code: TTM-170



WHAT IS A TOTEM 170?

- Device to sign in indoors and outdoors.
- Visually appealing.

What is for? Attract people's attention.

Applications: Malls, government buildings, stadiums, schools, airports, hotels, museums, medians, avenues, and others.

FEATURES

- Appealing oval design.
- Made for a vertical version.
- Manufactured in polyethylene by blow-molding process.
- Advertising area in one face (two faces are optional).
- Easy installation, anchored to the floor with anchors and screws on the inner part.
- For indoor and outdoor usage.
- Option to include inner LED lighting system powered by solar cells installed on the top part of the totem with batteries for power storage.



TOTEM - 170

Code: TTM-170

MEASUREMENTS

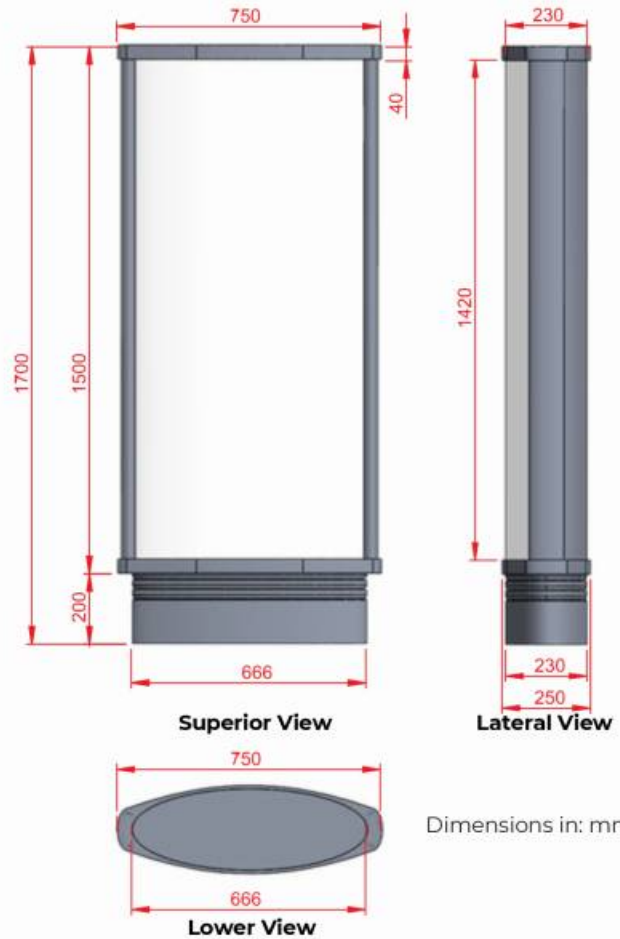
Dimensions and other measures are nominal and may vary by + / - 2 %.

Total

- Superior Length: 29.5 in
- Lower Length: 26.2 in
- Width: 9.0 in
- Height: 5.5 ft

Advertising Area in each Face

- 27.1 in x 4.6 ft



Dimensions in: mm

