

KIRA BOLLARD

Code: BO-KIR-F / BO-KIR-A

WHAT'S A BOLLARD?

Prevention and warning solar devices, placed strategically to avoid motorists invade public spaces intended for pedestrians, separating the sidewalk of the road.

Perfect to improve visibility at night, contributing to safety in public spaces and roads.

This bollard is an effective solution, a clear and visible barrier that ease transit organization and protect all road users.

Manufactured in 14-gauge with finish in electrostatic paint available in black, red, orange or green color.

The design incorporates a solar beam that improves night visibility, and a golden ring that stands out the modern aesthetic. It combines functionality, resistance and visibility, offering an efficient solution for the organization and safety.



FEATURES

- Robust and elegant solution to delineate public spaces and road safety.
- Exists 2 versions, fixed and flexible:
 - **Fixed:** Steel base anchored to floor, designed to provide a permanent delineation without movement, ideal for areas that require a constant stability.
 - **Flexible:** ABS base and inner system that bend if impact occurs, recovering its original position after impact. This is an optimal version for transit areas where is necessary flexibility and resistance to impacts.
- It charges during day and turns ON automatically during night, additional silver ring that stands out the design of the bollard, adding a sophisticated touch.
- Cap composed by transparent acrylic, diffusing light.
- High resistance to humid conditions, suitable for diverse climate conditions.

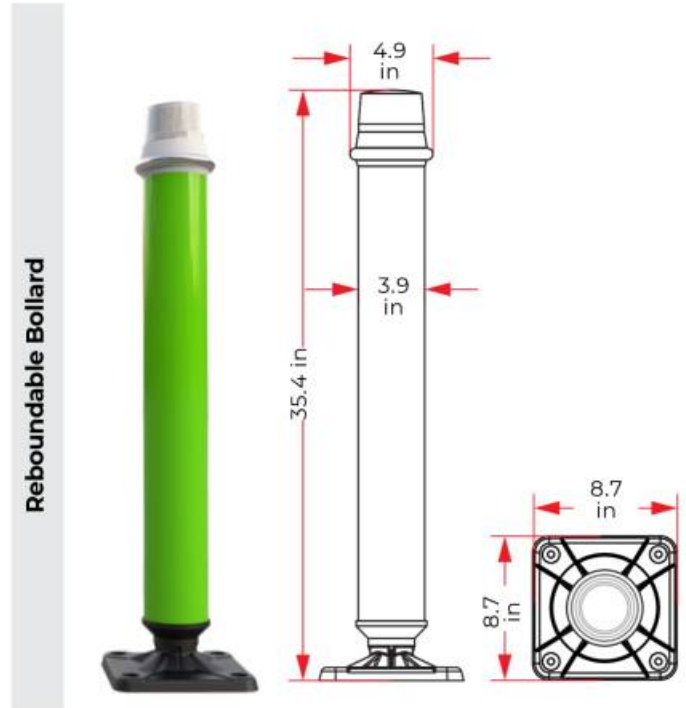
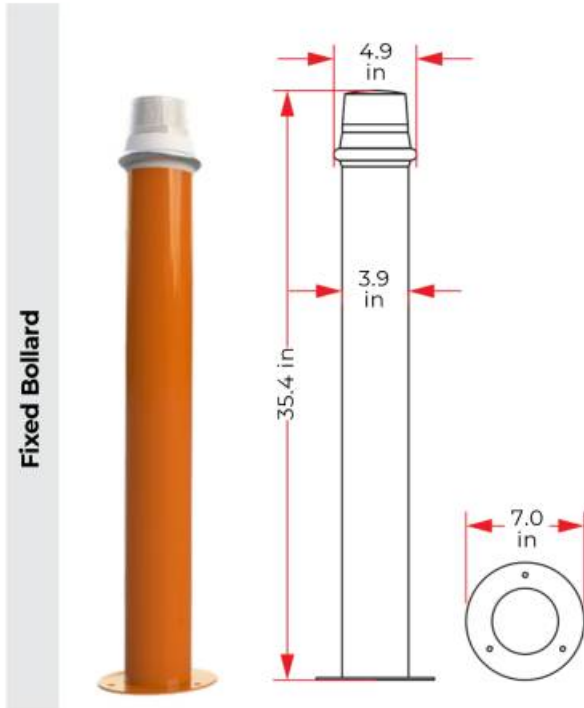
LIGHT SYSTEM

- Solar cell: 85 mm
- Battery: Lithium polymer
- LED: 12 ultra bright
- Available color: Amber, white and red
- Light type: Flashing
- Synchronization Options: Bollards can synchronize for a coordinated lighting.
- Durability: High resistance to humid conditions, designed to withstand extreme temperature changes.



KIRA BOLLARD

Code: BO-KIR-F / BO-KIR-A



MEASUREMENTS

Volumes, dimensions and other measures are nominal and may vary by approximately 2%.

	Fixed	Reboundable
Body Diameter	4.00" (10.16 cm)	4.00" (10.16 cm)
Base Diameter	7.0" (18.0 cm)	8.7" x 8.7" (22.3 x 22.3 cm)
Total Height	35.4" (90.0 cm)	35.4" (90.0 cm)



Anchoring

Ø 3.8" x 5.9"
Hex Head Ultrafix Screw
Ø 0.7" x 5.5"
Extralarge Anchor

ANCHORING

1. Mark the boreholes where the bollards will be placed.
2. Drill with a 3/4" drill bit for concrete to a 7" depth.
3. Insert the extralarge anchors in every borehole.
4. Mount the bollard and place the 3/8" screw/flat washer, tighten with a 9/16" socket wrench and...
DONE!

