

STAINLESS STEEL KIRA BOLLARD

Code: BO-KIR-INOX-F / BO-KIR-INOX-A

WHAT'S A BOLLARD?

Device for prevention and warning, placed strategically to avoid motorists invade public spaces intended to pedestrians, separating the sidewalk from road.

Perfect to improve night visibility, contributing to safety in public spaces and roads.

This bollard is an effective solution, providing a clear and visible barrier that ease transit organization and protect all road users.

Manufactured in 11-gauge stainless steel. Its design incorporate a solar beam that help to night visibility and a golden ring to stand out the modern aesthetic.

Combines functionality, resistance and visibility, offering an efficient solution for organization and safety.

Designed to offer robustness and visibility, this bollard adapts to different safety and signage needs.



Fixed Bollard



Flexible Bollard

FEATURES

- Kira bollard of stainless steel is a harmonious, flashing and fine solution to delineate public spaces and road safety. Available in two versions: fixed and flexible.
 - **Fixed:** Stainless steel base anchored to floor, designed to provide a permanent delineation without movement, ideal for areas where is required a constant stability.
 - **Flexible:** ABS base anchored to floor and equipped with inner system that allow bollard to tilt if hit, recovering automatically its vertical position after being run over. This version is ideal for transit areas where is necessary the flexibility and resistance to impacts.
- It charges during day and turns ON automatically during night; silver ring to stand out the design of the bollard, adding a sophisticated touch.
- Cap composed by transparent acrylic to diffuse light.
- High resistance to humidity conditions, ideal for diverse climate conditions.

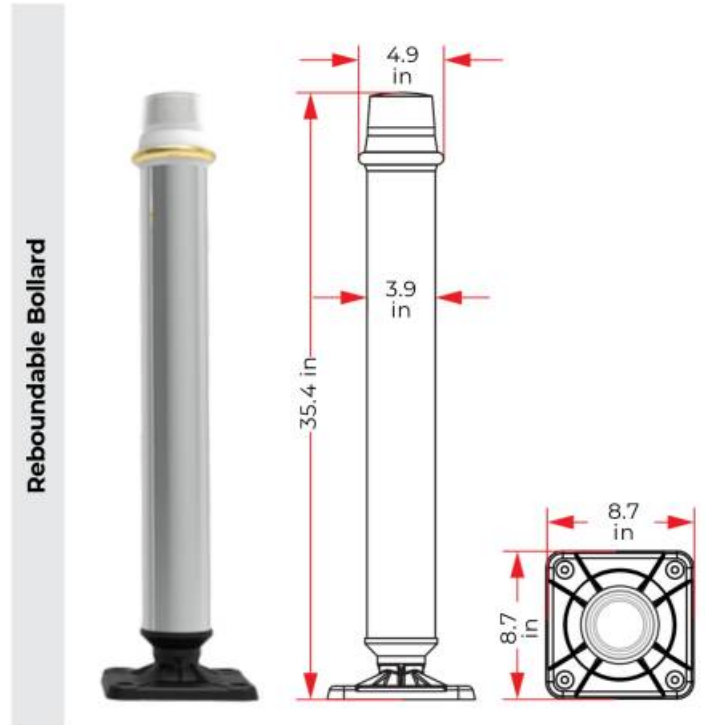
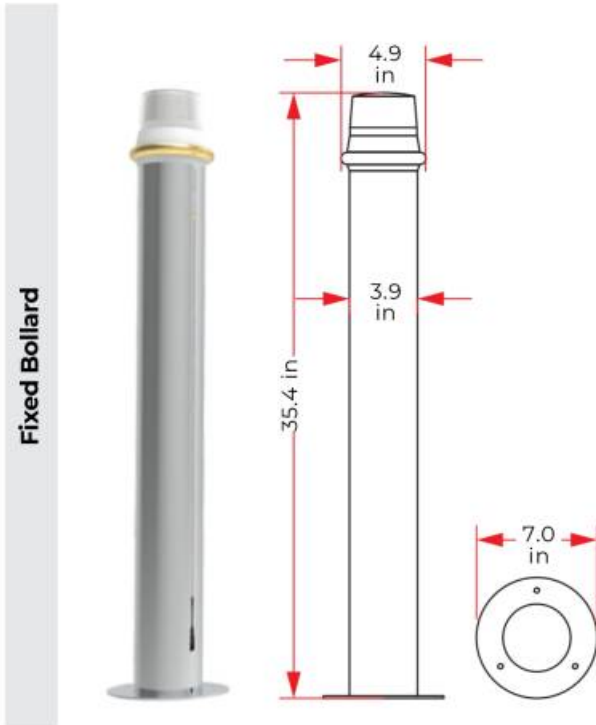
LUMINOUS SYSTEM

- **Solar cell:** 85 mm
- **Battery:** Lithium polymer
- **LED:** 12 ultra bright
- **Available color:** Amber, white and red
- **Light type:** Flashing
- **Synchronization Options:** Bollards can synchronize for a coordinated lighting.
- **Durability:** High resistance to humidity conditions, designed to withstand extreme temperature changes.



STAINLESS STEEL KIRA BOLLARD

Code: BO-KIR-INOX-F / BO-KIR-INOX-A



MEASUREMENTS

Dimensions and other measures are nominal and may vary by approximately 2%

	Fixed	Reboundable
Body Diameter	4.00" (10.16 cm)	4.00" (10.16 cm)
Base Diameter	7.0" (18.0 cm)	8.7" x 8.7" (22.3 x 22.3 cm)
Total Height	35.4" (90.0 cm)	35.4" (90.0 cm)



Anchoring

Ø 3/8" x 5.9"
Hex Head Ultrafix Screw

Ø 0.7" x 5.5"
Extralarge Anchor

ANCHORING

1. Mark the boreholes where bollards will be placed.
2. Drill with a 3/4" drill bit for concrete to a 7" depth.
3. Insert the extralarge anchors in every borehole and place the 3/8" screw/flat washer, tighten with a 9/16" socket wrench and...

DONE!

