

## STAINLESS STEEL TUSCANY BOLLARD

Code: BTOS-INOX-F / BTOS-INOX-A



**Fixed Bollard**



**Flexible Bollard**

### WHAT'S A BOLLARD?

Element manufactured in 11-gauge stainless steel, designed to prevent forbidden parking and warn motorists about the areas intended for pedestrians.

Perfect to maintain the order and safety in spaces with high flow, ensuring areas for pedestrians are free of obstructions and well delimited..

Ideal for hotels, malls, government buildings, auditoriums, and others.

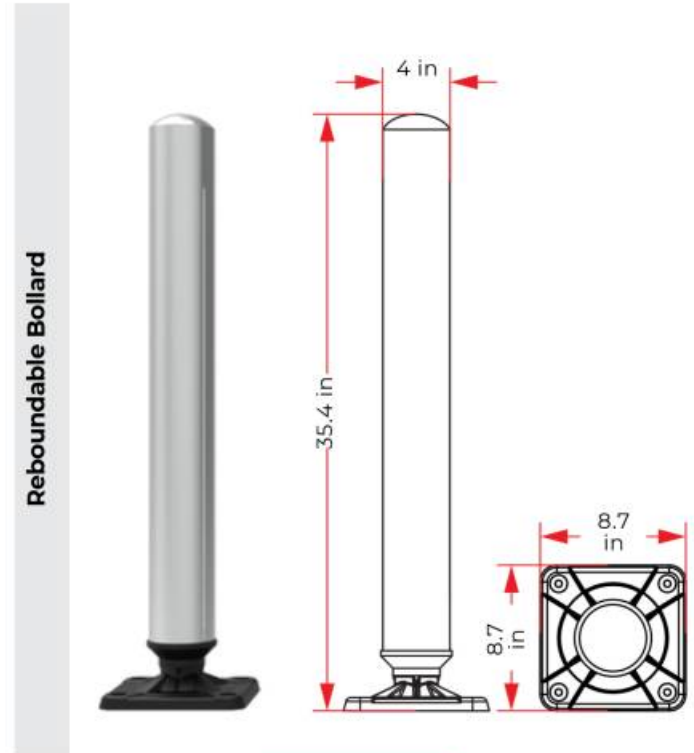
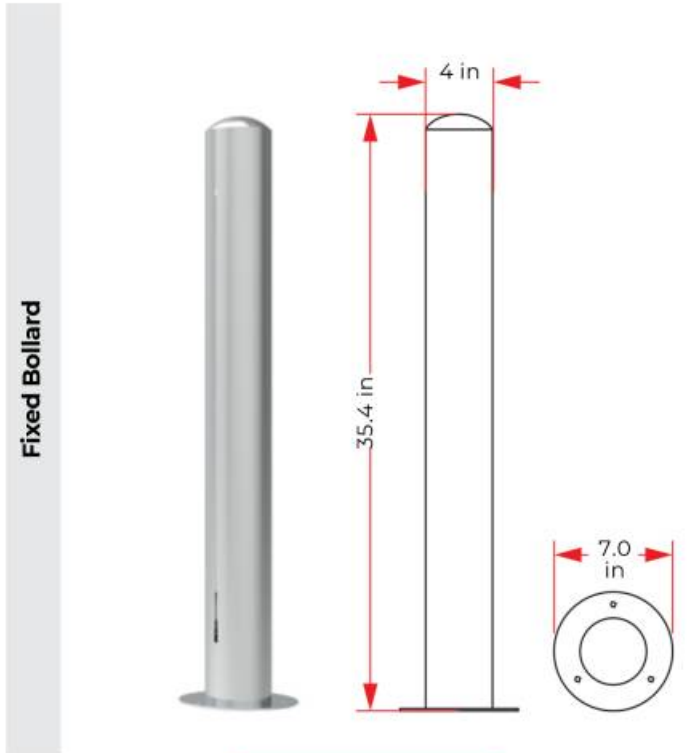
### FEATURES

- Tuscany bollard combines a classic design and significant presence with the necessary functionality and adaptability for any environment.
- Elegant design that adapts to diverse environments, adding a sophisticated touch to any space.
- Manufactured in stainless steel, guaranteeing durability and resistance.
- It offers a resistant option to humidity and extreme temperature changes, ensuring longevity in different climate conditions.
- Available Versions:
  - Fixed: Equipped with steel base that maintains still, ideal for areas that require a permanent delineation.
  - Flexible: ABS base and inner system that allow bollard to tilt in case of impact, recovering vertical position automatically.
- It perfectly adapts to any environment, from urban areas to commercial and residential spaces.
- Made to resist the heavy duty use and time inclemency, maintaining its aspect and functionality.
- Tuscany bollard not only provides a functional solution to delineate areas, but provides an aesthetic and elegant design that enhances any environment.



# STAINLESS STEEL TUSCANY BOLLARD

Code: BTOS-INOX-F / BTOS-INOX-A



## MEASUREMENTS

Dimensions and other measures are nominal and may vary by 2%.

	Fixed	Reboundable
Body Diameter	4.00" (10.16 cm)	4.00" (10.16 cm)
Base Diameter	7.0" (18.0 cm)	8.7" (22.3 x 22.3 cm)
Total Height	35.4"(90.0 cm)	35.4"(90.0 cm)

## ANCHORING

1. Mark the boreholes where the bollards will be placed.
2. Drill with a 3/4" drill bit for concrete to a 7" depth.
3. Insert the extralarge anchors in every borehole and mount the bollard.
4. Place the 3/8" screw/flat washer and tighten with a 9/16" socket wrench...

DONE!



Hex Head Ultrafix Screw  
Ø 3.8" x 5.9"

Ø 0.7" x 5.5"  
Extralarge Anchor

