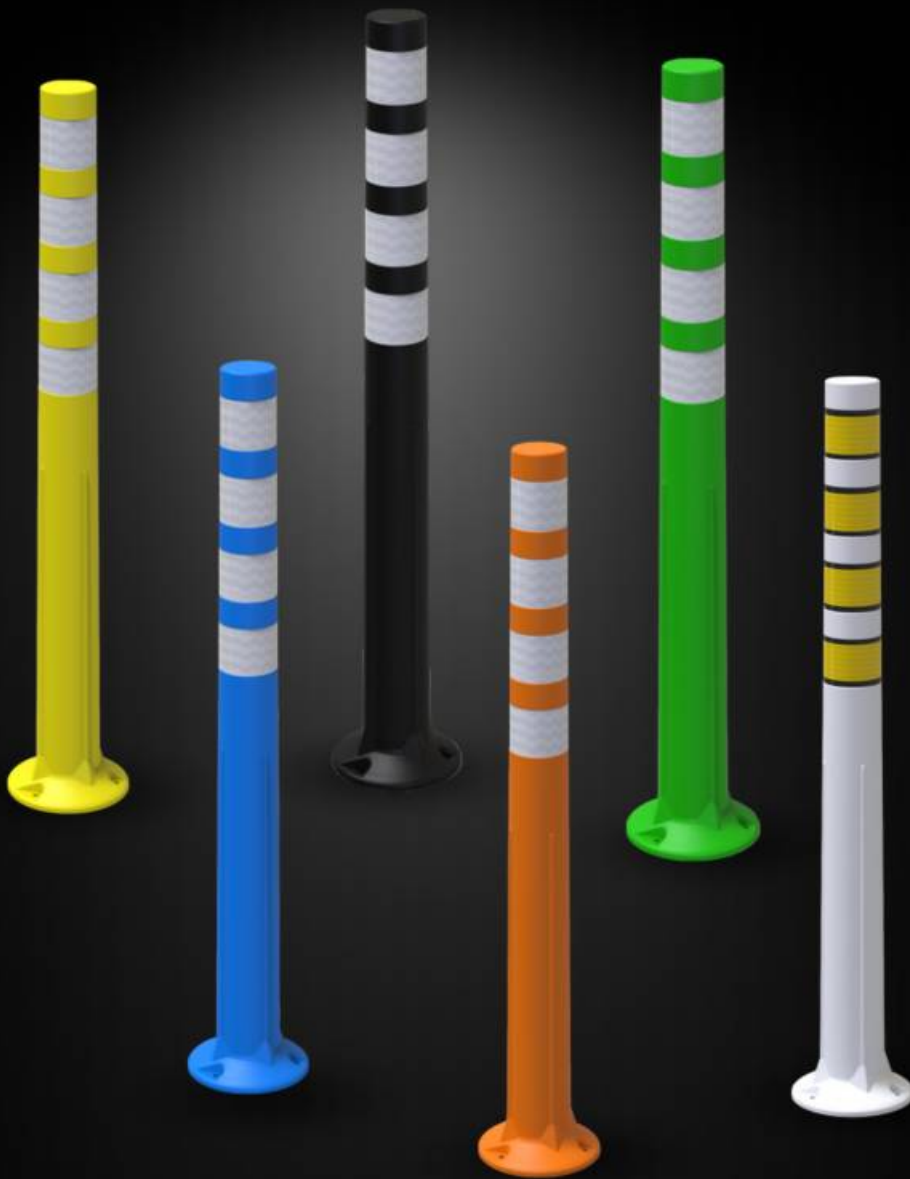




ECOFLEX-125

YOUR HIGHEST ALLY
IN TRAFFIC SAFETY!



AN INNOVATIVE DESIGN AND EXCEPTIONAL
PERFORMANCE TO MAKE A DIFFERENCE IN
EVERY ROAD.

TABLE OF CONTENTS

	<i>Page</i>		<i>Page</i>
1 ECOFLEX-125	2	9 Ecoflex-125 URBAN ACCESSIBILITY	13
2 WHAT IS IT?	3	10 Ecoflex-125 CONSTRUCTION	14
3 FEATURES	4	11 Ecoflex-125 SOLAR	15
4 MEASURES	7	12 INFORMATION PADDLE	16
5 CUSTOMIZABLE PADDLE	8	13 Ecoflex-125 WARNING	17
6 INSTALLATION	9	14 Ecoflex-125 PEDESTRIAN	18
7 LABEL/SIGN YOUR POST	11	15 Ecoflex-125 COMPANIES	19
8 Ecoflex-125 BIKE WAY	12	16 CONTACT US	21

ECOFLEX-125



With **gussets** for a better collision-withstanding



Visible during day and night



Recovers original shape after being run over

WHAT IS IT?

We present the new Ecoflex-125, the delineator post of Poliflexy is designed to create safer roads! The Ecoflex-125 is highly visible for all vehicle type, their 4.1 ft height and 4 spectacular reflective areas guarantee an effective and safe delimitation.

Thanks to their highly resistant materials and excellent reliability, maximize pedestrian and cyclist safety.

In addition, is an incredible element with an easy installation and maintenance, ideal for urban areas, roads and highways.



ECOFLEX-125

FEATURES

Ideal height to be visible from any vehicle



Integrates 4 high intensity reflective rings

Option to include customizable paddle (1 or 2 faces) or surface to label/sign



ECOFLEX-125

FEATURES

Variety of available colors that adapt to your needs



Manufactured in Poliflexy and TPU (black color) with the best quality on the market



Visible from any angle



ECOFLEX-125

FEATURES

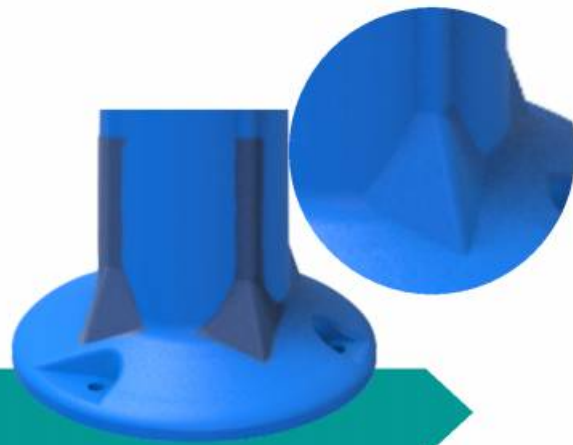
Resistant to
UV-rays



Versatile installation; can
include a heavyweight base
for easy and dynamic usage

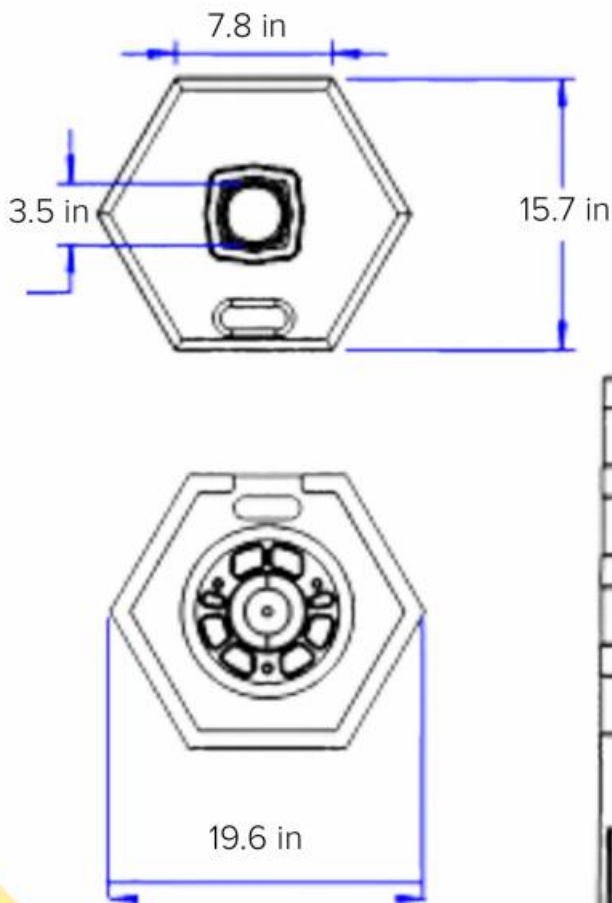


The **Ecoflex-125** has 4
gussets for a better
fastening on base,
providing durability and
resistance

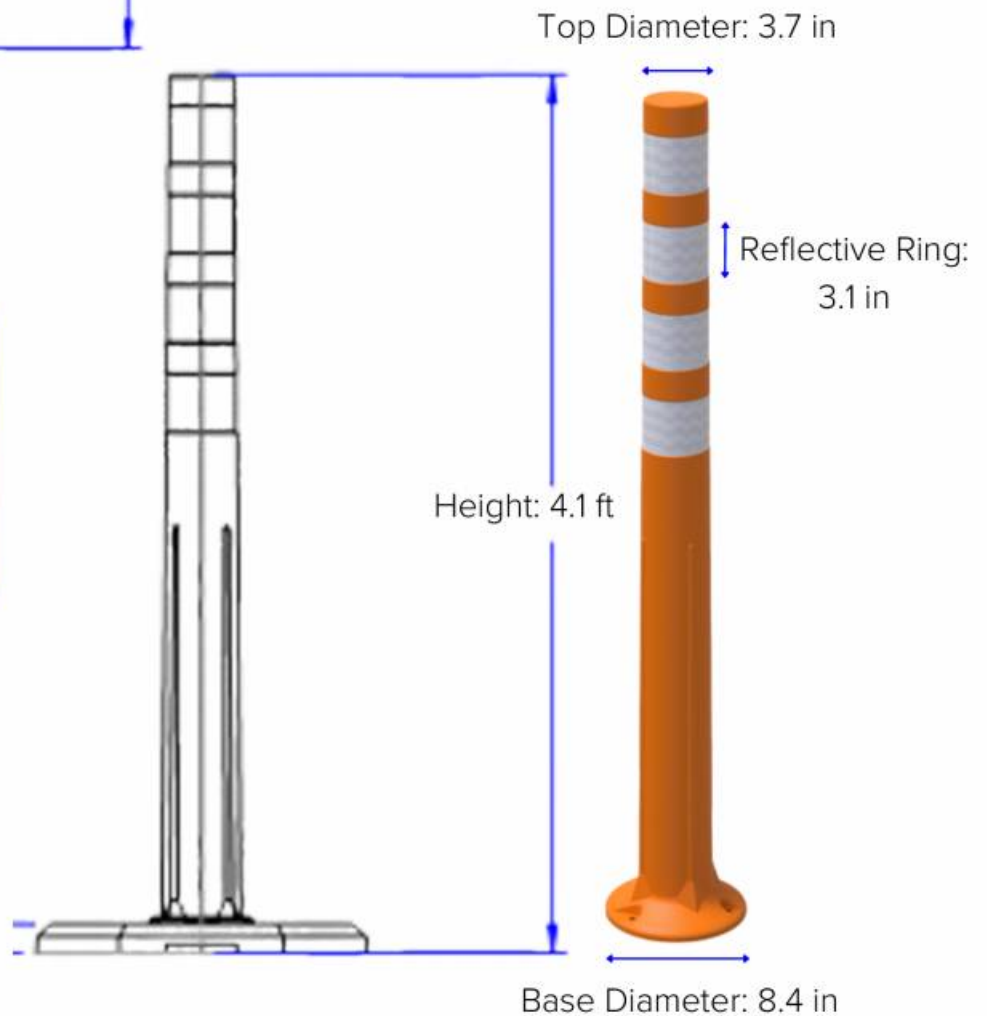


MEASURES

Heavyweight Base



Ecoflex-125



CUSTOMIZABLE PADDLE

The top part of the **Ecoflex-125** can **incorporate a paddle for advertising space** or road information.

Can also include a **surface to label/sign** mounted on the element, offering a multi functional solution.

*Improve road safety
and reduce accidents
with the **Ecoflex-125***

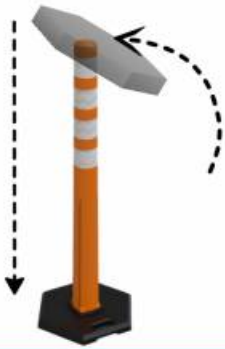


TEMPORARY

INSTALLATION

1 PREPARE THE ECOFLEX-125

- FIRST, POSITION THE ECOFLEX-125 IN ITS TEMPORARY PLACE



2 HEAVYWEIGHT BASE

- ONCE THE ECOFLEX-125 IS POSITIONED, SET THE HEAVYWEIGHT BASE ON THE PRODUCT AND SLIDE IT FROM THE TOP TO THE BASE, ENSURING EXCEPTIONAL SUPPORT AND RESISTANCE.

3 POSITION AND MOBILITY

- AFTER THE INSTALLATION, IS POSSIBLE TO EASILY MOVE THE ECOFLEX-125 AND ADJUST IT ACCORDING TO YOUR NEEDS.

INSTALLATION

- EASY INSTALLATION / UNINSTALLING FOR EVENTS IN GREEN AREAS

1 ADJUST THE ECOFLEX-125 IN THE PLACE TO SET

2 HAMMER THE HOLES WITH NAILS AND SET FIRMLY

3 ONCE THE EVENT IS OVER, REMOVE THE NAILS AND THE ECOFLEX-125



PERMANENT

INSTALLATION

1 SURFACE PREPARATION

- Make sure pavement and accessory surface are free from dust, oil and are completely dry.



2 GROUND DRILLING

- Use a drill with a 3/4" drill bit for concrete and mark the 3 boreholes using the base of the post as a template.
- Then, drill the assigned area to a 7" depth.

3 MIX OF COMPONENTS

- In a container, mix the components in equal proportions, in other words, 1:1 (part A and part B).
- Add part B (catalyst) to part A (resin) and stir until a homogeneous mixture in grey color is obtained.
- Mixture will start to strengthen from 15 to 20 minutes. Consider that a greater prepared quantity will result in a greater temperature, reducing reaction time.



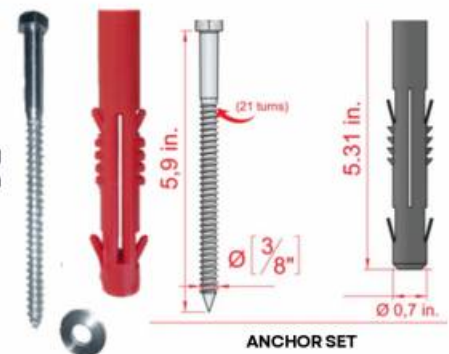
4 GLUE APPLICATION

- Apply glue directly in the prepared area and a light coat in the accessory's surface.
- Place the accessory in its place with a minimum pressure.
- Glue can be applied using a spatula or a caulking gun.



5 ANCHOR INSERTION AND EXPANSION

- Insert the anchors in the drilled holes.
- Place the Ecoflex-125 in the anchors to insert the 3/8" flat washers and screws.
- When inserting the screws in anchors, these expand due screw, generating pressure against walls of the borehole until it reaches to the maximum expansion and super anchoring.
- Finally, with the help of a 9/16" socket wrench, tighten the 3 screws.



Additional Notes:

- After the glue components are mixed, **make sure to work quickly** due **short time to strengthen the mixture**.
- **The correct surface preparation**, exact mixture **proportion** and drilling **precision** are key to **guarantee a durable and safe installation**.

ECOFLEX-125

ECOFLEX-125

**CAUTION AND SAFETY
TO SIGN ANY ZONE!**

DIFFERENT LABEL/SIGN VERSIONS:



ECOFLEX-125 BIKE WAYS

ROAD DELINEATION



Manufactured in Poliflexy



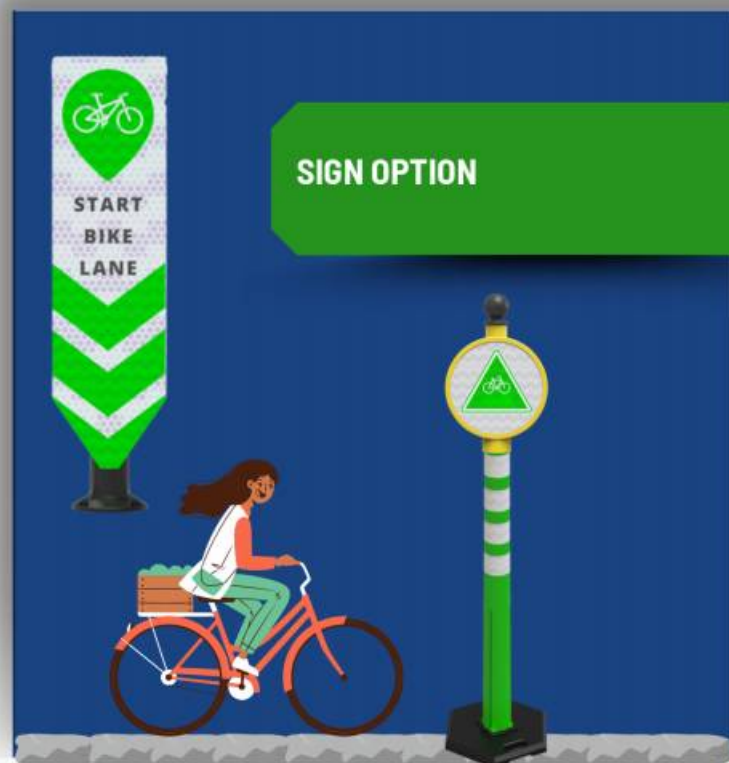
Ideal to divide bike ways



Plainly visible during day and night



Our flexible material reduces the possibility of damaging a cyclist in case of impact



SIGN OPTION

ECOFLEX-125

ECOFLEX-125

URBAN ACCESSIBILITY

ROAD DELINEATION



Manufactured in Poliflexy



Plainly visible during day and night



Stands out spaces for people with disabilities



Resistant to impacts and air currents

Option with sign or chain



ECOFLEX-125 CONSTRUCTION

ROAD DELINEATION



Manufactured in Poliflexy



Useful in road works, detours, parking lots, restricted zones, etc.



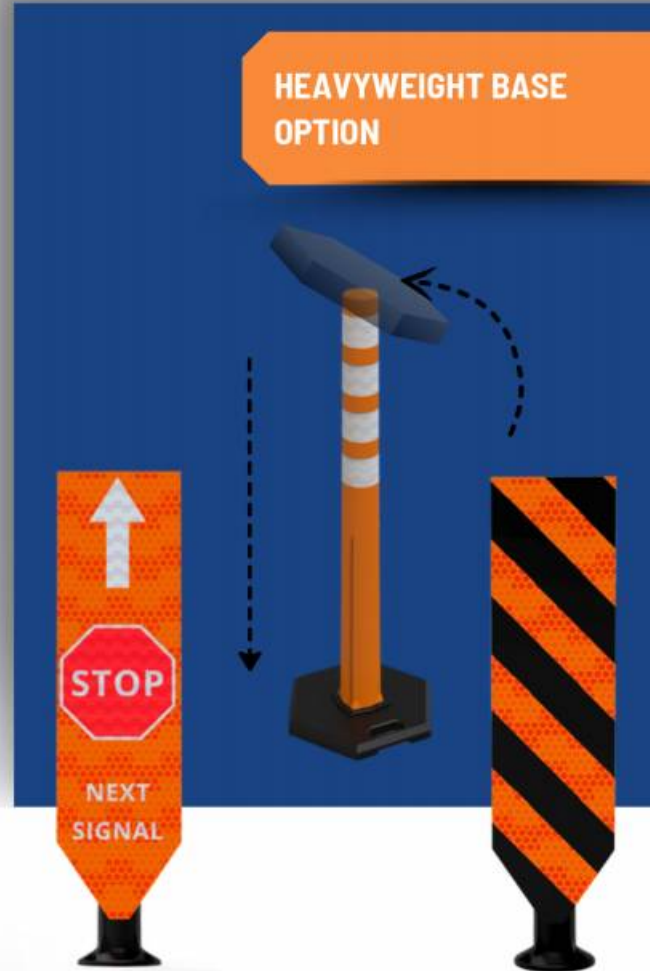
High visibility



Affordable and durable



Resistant to impacts and air currents



ECOFLEX-125 SOLAR



- Latest generation solar system



- 11 Ultra bright LEDs in amber color



- Solar accessory made of sheet



- Visible up to 984 ft of distance



- 12 continuous hours durability



- JVM synchronization of 98 ft



- Useful to indicate dangerous or risk zones ahead as sharp curves and works



ECOFLEX-125

*YOUR BEST ALLY IN THE ROAD TO
A SAFER MOBILITY!*

DIFFERENT VERSIONS OF THE INFORMATION PADDLE:



ECOFLEX-125 WARNING

ROAD DELINEATION

FEATURES



Increase safety in curves



Avoids the crossing of a white solid line



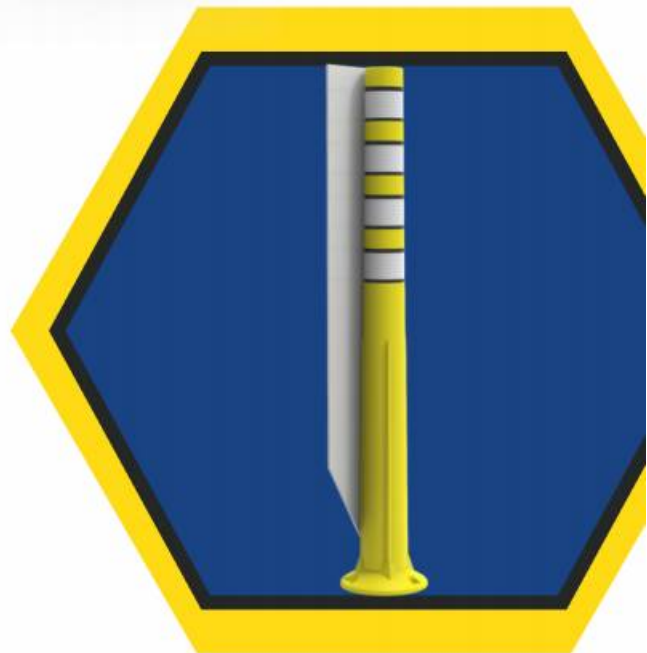
Reflective sheeting and color makes this device visible in climate conditions as fog, darkness and heavy rain



Manufactured in Poliflexy



USAGE MODES



ECOFLEX-125

ECOFLEX-125 PEDESTRIAN

ROAD DELINEATION



Manufactured in Poliflexy



Provide safety to pedestrians



Reduce speed of drivers



Ideal to delimit road and
prioritize pedestrian safety



Resistant to impacts and air
currents



ECOFLEX-125 COMPANIES

ROAD DELINEATION



Manufactured in highly resistant TPU



Ideal to locate places in malls, parks and self-service sites



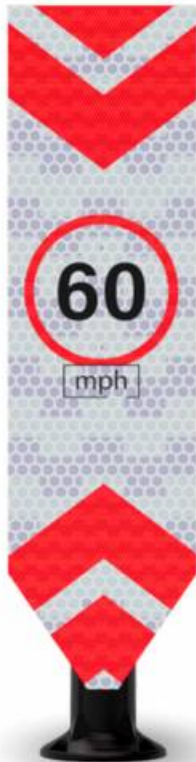
Can be used for advertisings

USAGE MODES



ECOFLEX-125

**ROAD SAFETY AND QUALITY
FOR ALL YOUR SPACES**



**DELIMIT BIKE WAYS, MARK OBSTACLES
OR DEFINE SAFETY ZONES**

CONTACT US



88-A lago Ayarza, Miguel Hidalgo, CDMX



Phone +52 (55) 5399-8671



Whatsapp +52 (55) 8811-2082



<https://multisenal.com>