



PROTECT AND
CROSS SAFELY!

STOP/GO

INVEST IN SAFETY: STOP, OBSERVE AND
PROTECT LIVES WITH OUR STOP/GO
PADDLE.

TABLE OF CONTENTS

1 WHAT IS IT? > 2

2 FEATURES > 3

3 STOP/GO WITH ERGONOMIC HANDLE > 4

4 MEASURES WITH ERGONOMIC HANDLE > 5

5 LABEL/SIGN EXAMPLES > 6

6 STOP/GO PADDLE W/SCREW > 7

7 MEASURES WITH SCREW > 8

8 MEASURES WITH SCREW AND POST > 9

9 INSTALLATION > 10

10 LABEL/SIGN EXAMPLES FOR PADDLE W/SCREW > 11

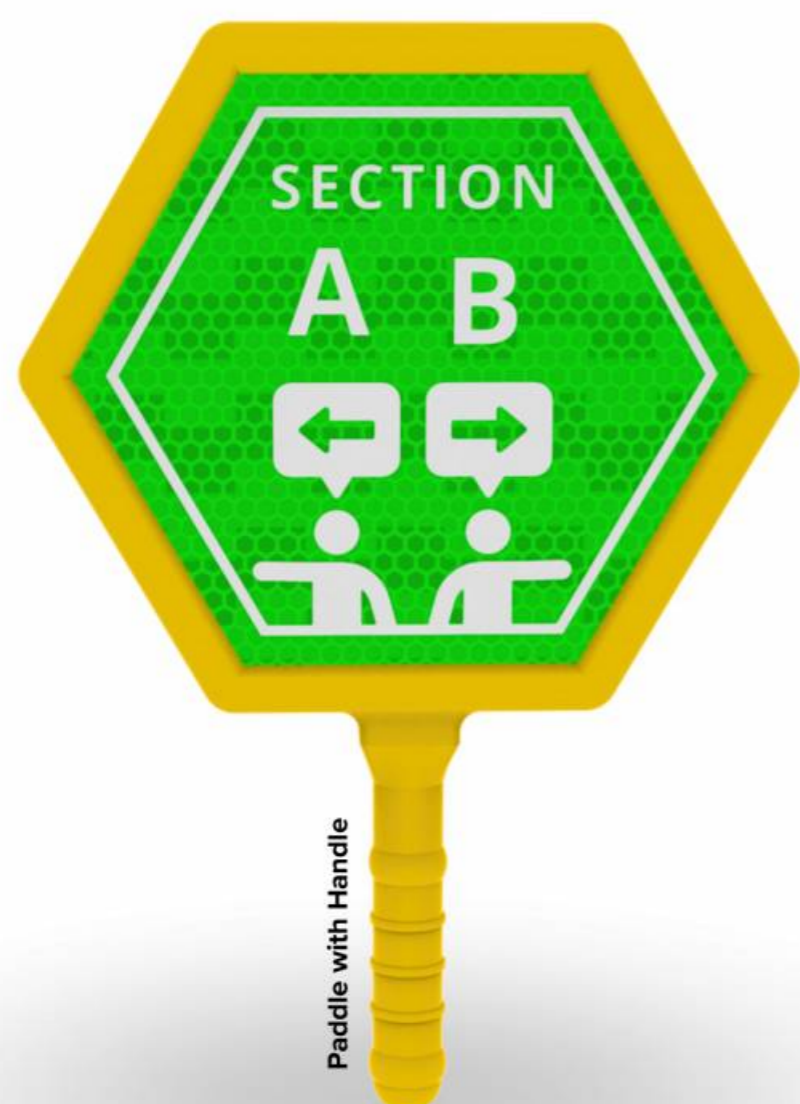
WHAT IS IT?

Presenting our exceptional Stop & Go Paddle!

Available in two versions: **with handle** and **with screw**. The screw version stands out for its innovative ability to mount or attach on the **Delineator Post 122**, offering a huge number of uses.

Main Features

- **Innovation and Efficiency:** Screw version allow a quick and efficient mounting on the delineator post 122, optimizing use in different situations.
- **Hexagonal Design:** Hexagonal shape and double sided paddle create the ideal tool to manage vehicle, machinery and pedestrian flow in public works and large-scale events.
- **High Visibility and Quality:** Manufactured with high quality and visibility materials, guaranteeing a safe and efficient use in different conditions.



Versatile Applications

- **Public Works:** Ideal to control vehicle and pedestrian traffic in construction and maintenance zones.
- **Massive Events:** Perfect to manage people and vehicle flow in concerts, festivals and other crowded events.
- **Road and Company Use:** The adaptability and customization are suitable for security, transport companies and more.

Benefits

- **Customization:** Label/sign design can be customized, allowing the perfect adjustment for road, commercial and company use.
- **Versatility:** Adaptable design transforms into a multipurpose-tool for different sectors and applications.
- **Reliability and Professionalism:** With our Stop & Go Paddle you obtain a reliable, versatile and professional solution to improve traffic management and safety in any scenario.



FEATURES

Versatile handle for manual or post use

- Designed for maximum functionality, our handle is perfect for manual use and to mount on post. Manufactured in durable colors as yellow, orange and more (upon request).
- Ideal for flagman in works, traffic control in schools, hospital, parking lots, sport events and more.



**STOP /GO
PADDLE WITH
HANDLE**

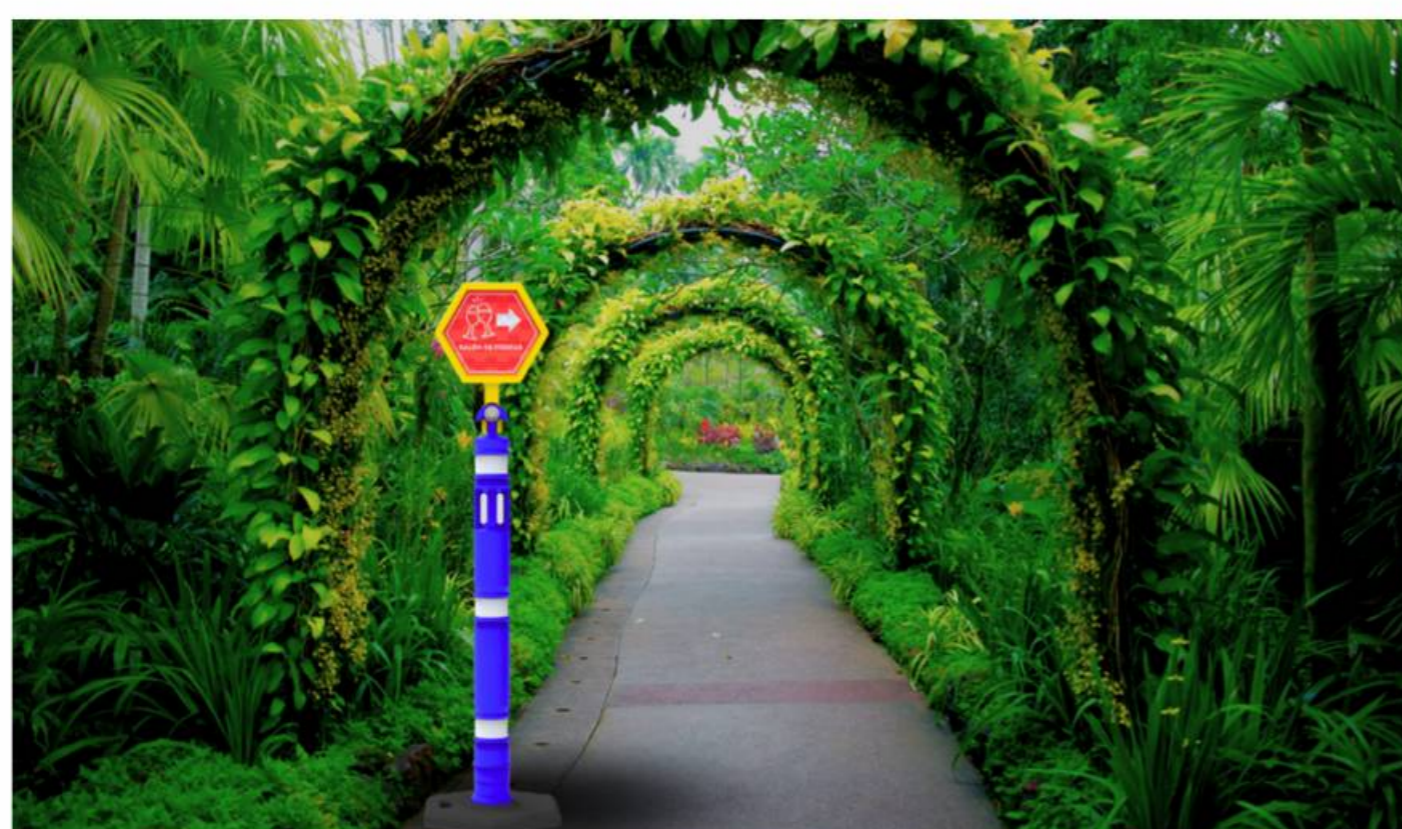


Durability and flexibility in your hands.

- Our handle manufactured in high quality polyethylene, guarantees a long life span and resistance in any color you need (yellow, orange and other colors upon request).
- Perfect for situations that require signage and control, as entrances and exits of schools, hospitals, parking lots, sport events and works. Maximize efficiency with a tool designed to adapt to your needs.



**STOP/GO
PADDLE WITH
SCREW**



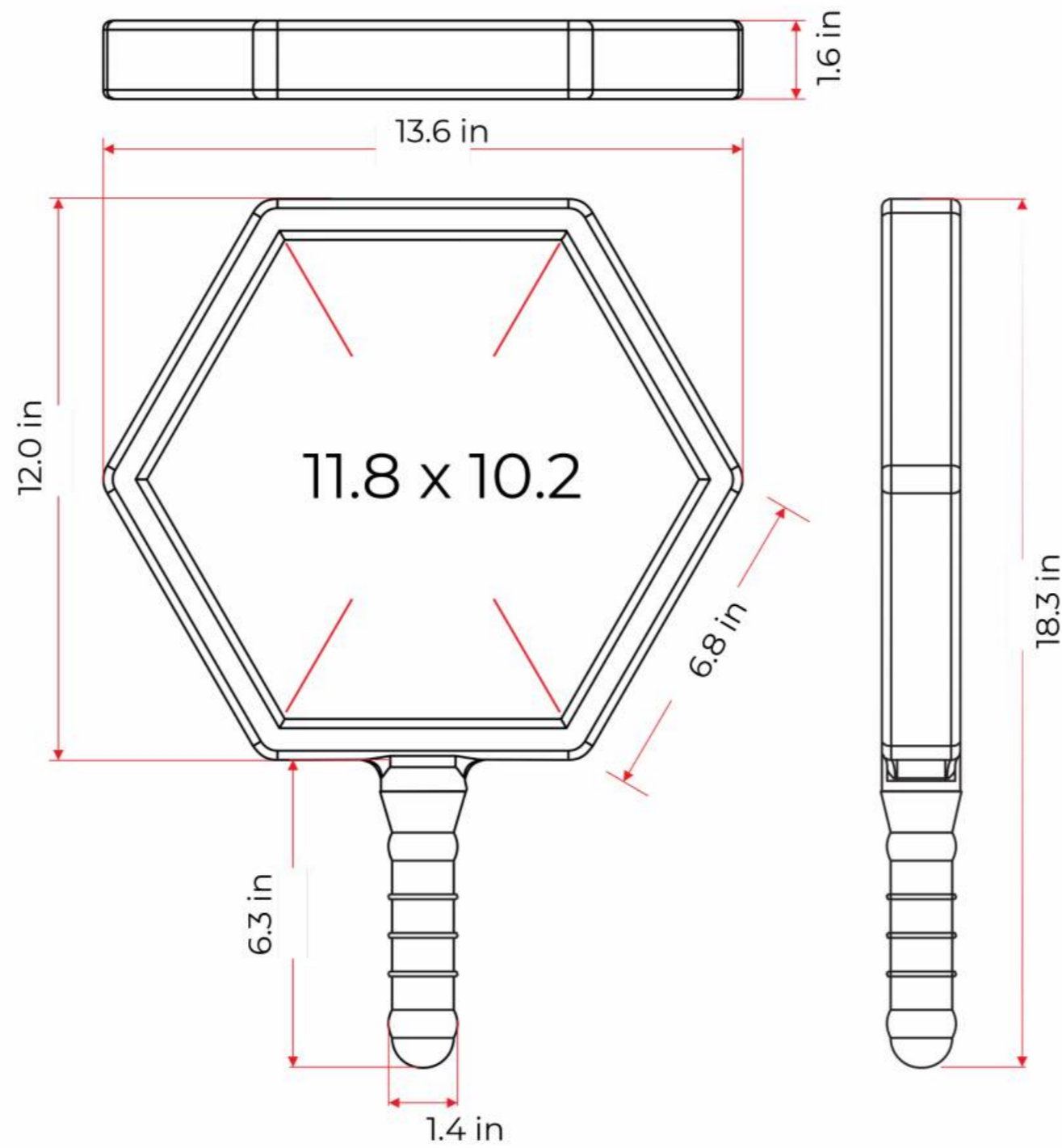
STOP/GO PADDLE WITH ERGONOMIC HANDLE

*YOUR SAFEST AND MOST CONVENIENT
CHOICE FOR ANY SITUATION*



MEASURES

WITH ERGONOMIC HANDLE



LABEL/SIGN

EXAMPLES



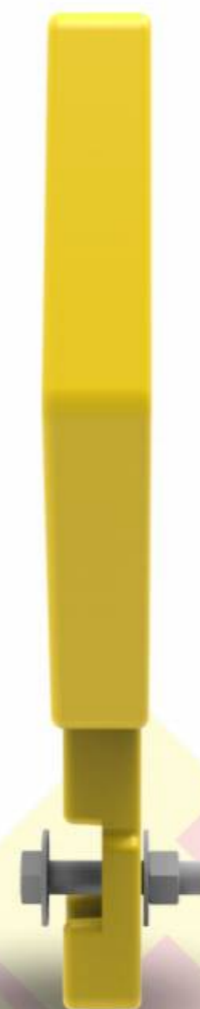
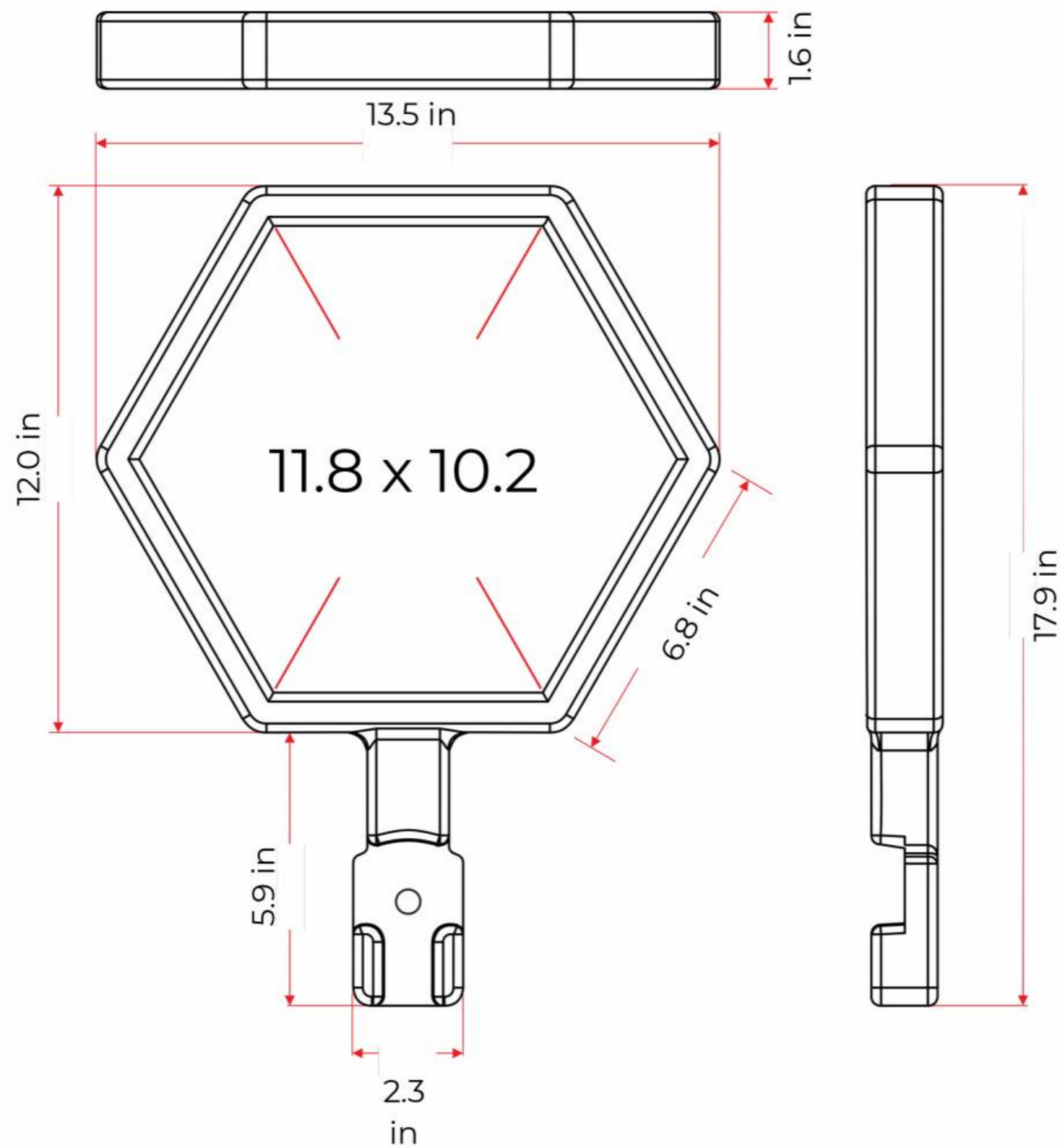
STOP/GO PADDLE WITH SCREW

*BEST OPTION IN ROAD SIGNAGE
AND SAFETY*



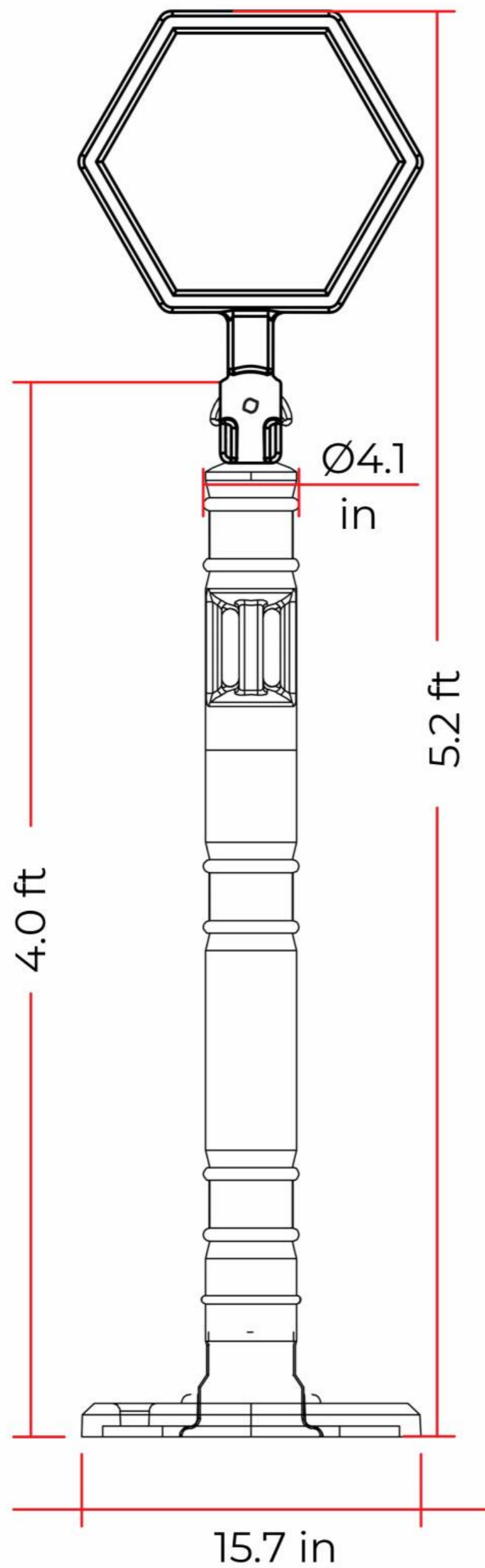
MEASURES

WITH SCREW



MEASURES

WITH SCREW AND POST

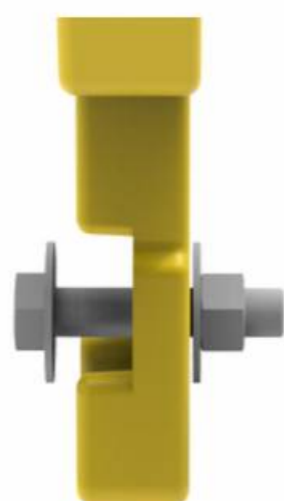


INSTALLATION

- **Easy to adjust: Includes screw and assembly kit, adaptable to attach in Delineator Post 122, 136, 85 or 110.**
- **This versatile design allows a fast and safe installation** in different posts, facilitating the use in different situations.



Assembly Kit



- **Screw/hook system is manufactured in high quality materials, ensuring exceptional durability and resistance** to adverse climate conditions.

- Each **delineator post (122, 136, 85 and 110)** has specific features that **are compatible with the fastening system**, guaranteeing a perfect and firm adjustment.
- In addition to product functionality, it provides a greater safety for customer.

Installation



Samples of different delineator posts



DP-136



DP-85



DP-110



DP-122



LABEL/SIGN EXAMPLES





CONTACT US



88-A lago Ayarza, Miguel Hidalgo, CDMX



Phone Number +52 (55) 5399-8671



Whatsapp +52 (55) 8811-2082



<https://multisenal.com>