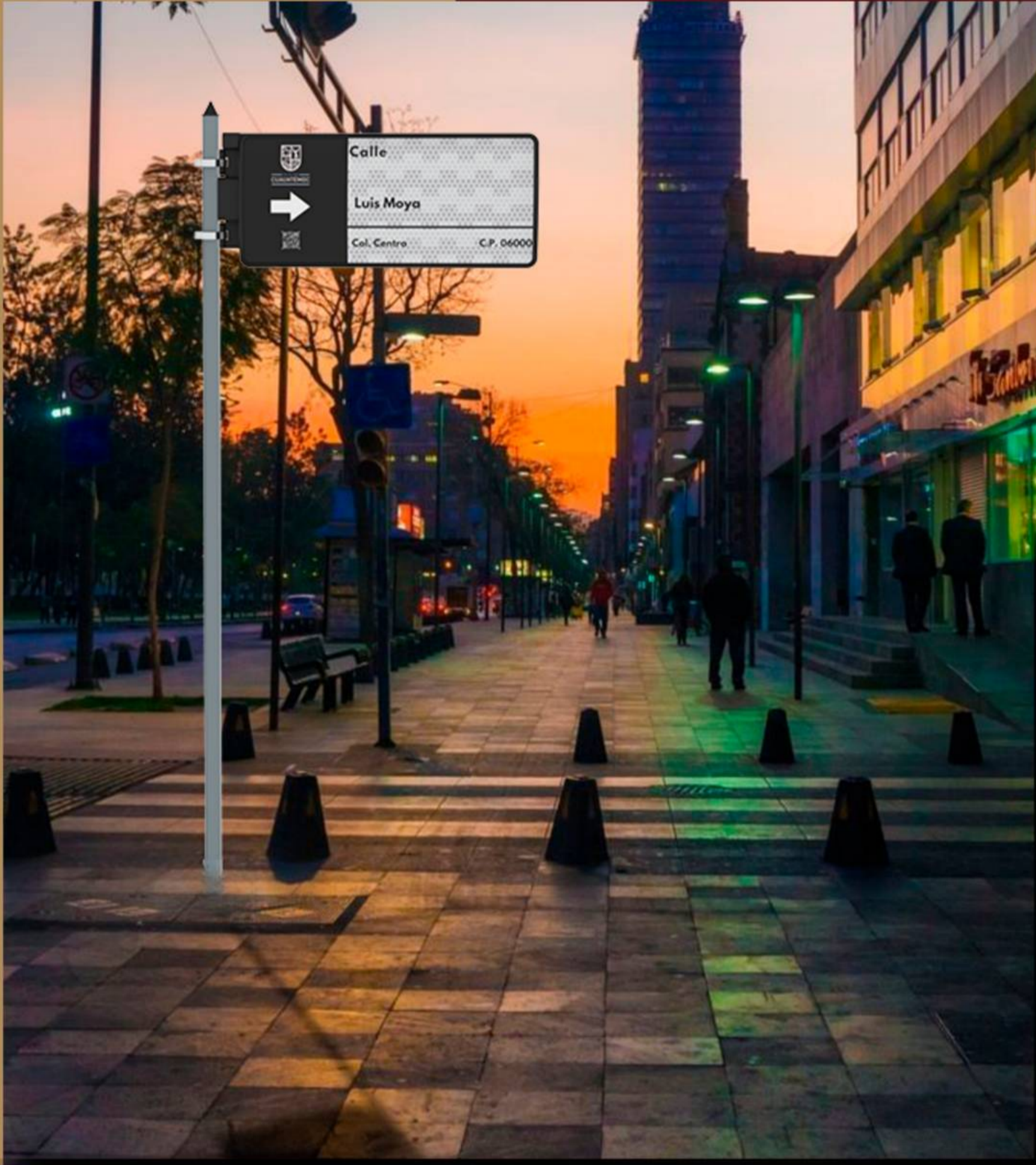


STREET SIGN

9040



**THE STREET SIGN THAT
GUIDES YOUR ROAD**



TABLE OF CONTENTS

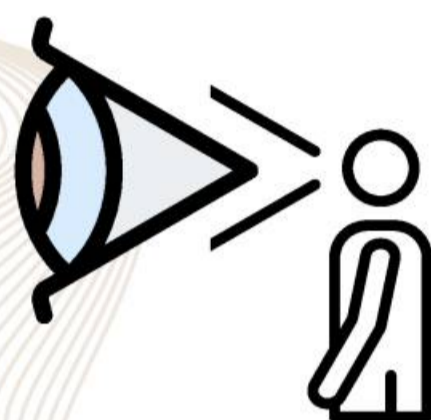
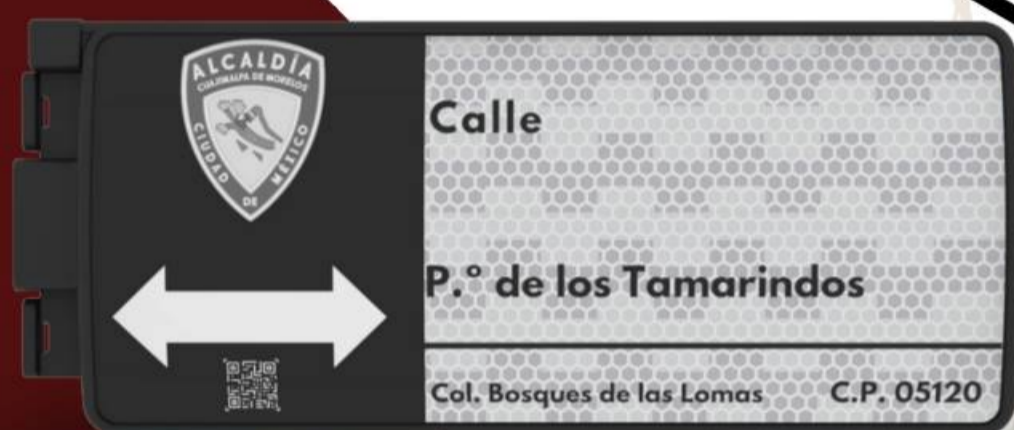
		Page
1	Urban Furniture	02
2	Features	03
3	Plastic street sign vs sheet street sign	04
4	Measures	06
5	Installation Mode	07
6	Examples	08
7	Contact Us	10



URBAN FURNITURE

INCLUSIVE DESIGN WITH AMPLE LETTERS, PERFECT FOR USERS WITH LOW VISION.

VISIBLE AT LONG DISTANCE



NOM-034-SCT2/SEDATU-2022 

This traffic signage device guarantees the street sign for roads is clear, easy to read and comply with the **NOM-034-SCT2/SEDATU-2022** standard established by the Secretaría de Movilidad, SEMOVI (Ministry of Mobility).

The street sign provides information as street naming, types of road, geographic demarcation, way of circulation and in some cases street and house numbering.



In addition, the inclusion of an optional QR code for emergencies can offer additional information in real time, improving safety and efficiency of emergency responses.

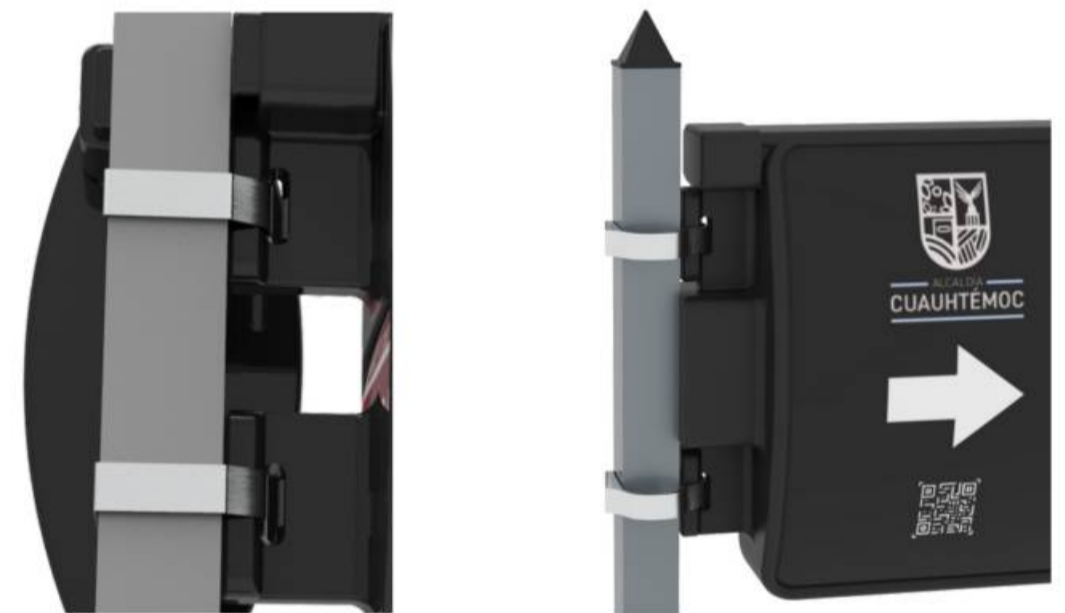


NOM-034-SCT2/SEDATU-2022:

<https://www.gob.mx/sedatu/documentos/manual-de-senalizacion-y-dispositivos-para-el-control-del-transito-en-calles-y-carreteras?state=published>

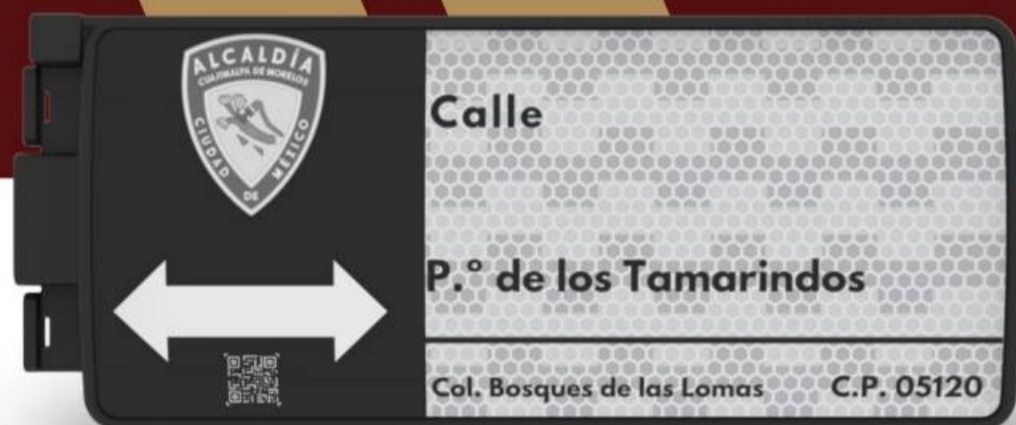
FEATURES

- Includes anchoring system, reducing to a 30% less of cost, compared with the sheet street signs, that don't include anchorings.
- Information in both sides, ensuring motorists and pedestrians can read from both parts.
- **Street Sign 9040 and Posteflex® don't have any commercial value in case of theft.**
- Weighs less than sheet sign; ensuring pedestrian in possible accidents.
- Street sign of vandal-proof body, manufactured in RCB polymer in black color and a single piece, which integrates 2 slots for an easy installation.
- **Curved front to accept any flexible film with adherence to label in both faces.**
- 100% recyclable, contributing to environmental sustainability.
- **30 years of life span, due doesn't rust neither bend when impacted.**
- It can be set on Posteflex®, existant, tubular RHS, galvanized or painted post.
- **We suggest the use of yellow or grey Posteflex® with pyramid shaped top, post free of oxide, flexible in case of impact.**



NOM-034-SCT2/SEDATU-2022





PLASTIC STREET SIGN

✓ **NOM-034-SCT2/SEDATU-2022**

✓ Undeformable and resistant plastic

✓ Long durability, it doesn't rusts

✓ Reduce installation costs to a 30%

✓ Unique piece with two faces, it doesn't need assembly

✓ Vandal-proof, withstand multiple impacts

✓ In case of mishap, the material don't damage vehicle or pedestrians due lightweight

✓ Low maintenance due its resistance and material

✓ Lightweight, and easy to install



SHEET STREET SIGN

OBSOLETA

✗ **NOM-034-SCT2-2011**

✗ Metal sheet

✗ Susceptible to rust and corrosion

✗ More expensive installation cost

✗ Two sheets with metal assembly

✗ It can bend at the first impact

✗ It can cause severe damages to vehicles or pedestrians if falls

✗ Require constant maintenance due risk of oxidation or vandalism

✗ Heavier, hampering installation

MATERIAL

LIFE SPAN

ANCHORING SYSTEM

DESIGN

RESISTANCE

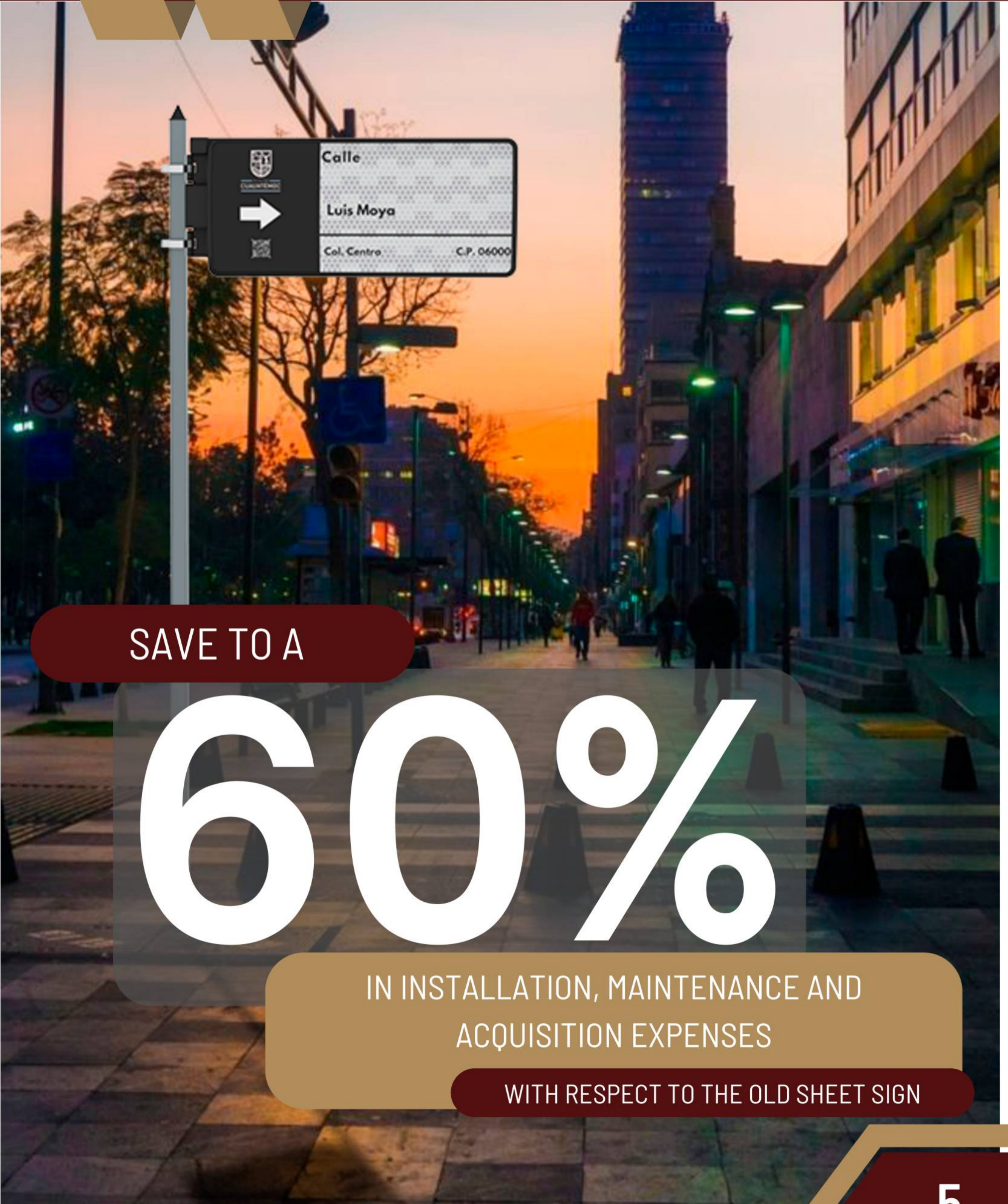
SAFETY

SUPPORT

WEIGHT

URBAN FURNITURE

EMBELLISH YOUR STREETS



SAVE TO A

60%

IN INSTALLATION, MAINTENANCE AND
ACQUISITION EXPENSES

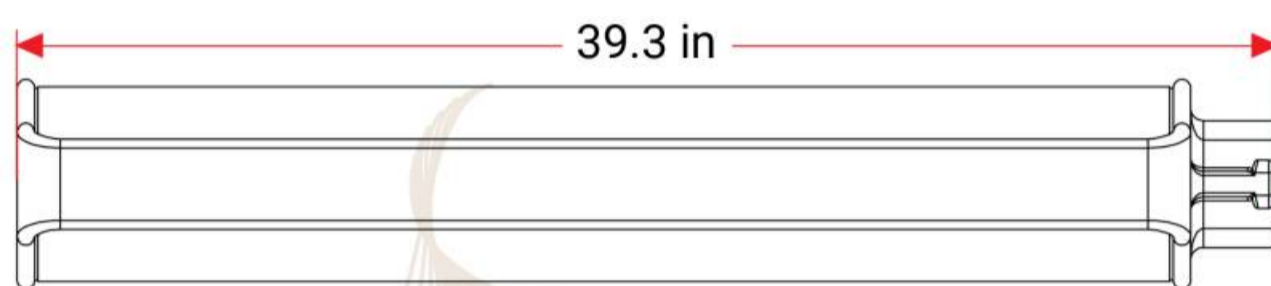
WITH RESPECT TO THE OLD SHEET SIGN

MEASURES

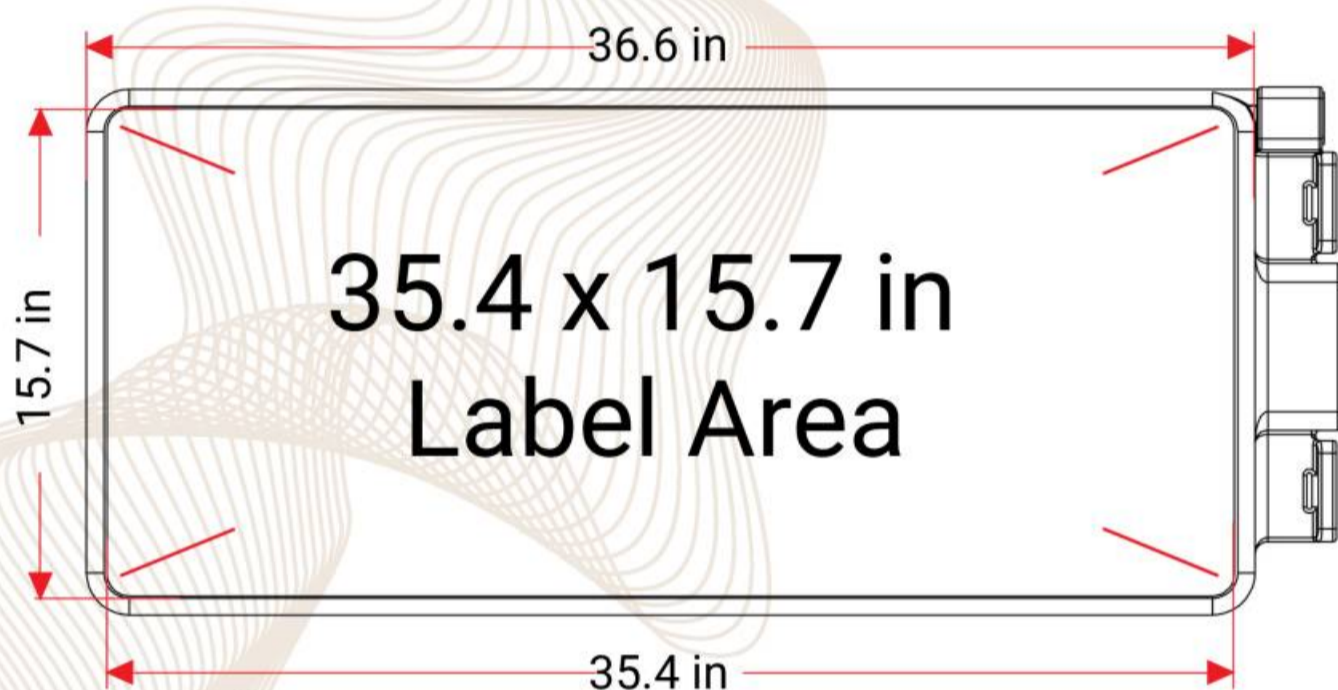
NOM-034-SCT2/SEDATU-2022



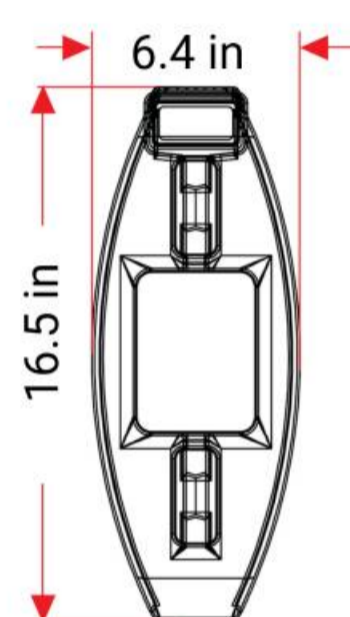
TOP VIEW



FRONT VIEW



LATERAL VIEW



TOP VIEW



FRONT VIEW



LATERAL VIEW



INSTALLATION MODE



Safety system with tie wraps included:

This safety system has stainless steel clamps with strap buckle to install easily and tie wraps, offering an integral and reliable solution for your calm.

Measures

- **Tie Wraps:**

- Length: 11.8 in.

- Width: 19 mm.

- **Buckle:**

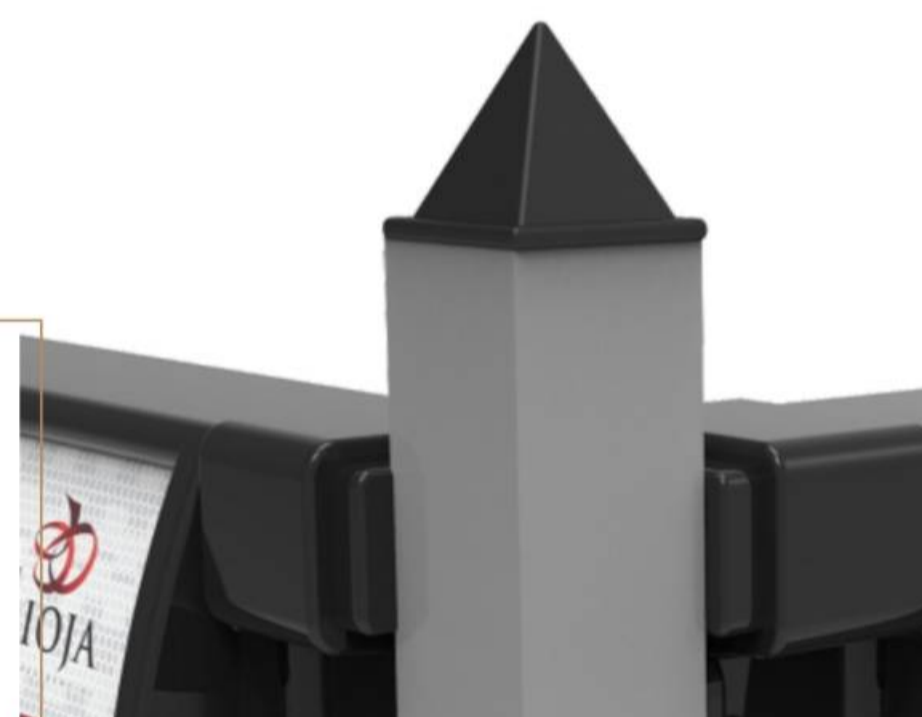
- Largo: 30 cm.

- Ancho: 19 mm.

- **Hebilla:**

- 21 mm.

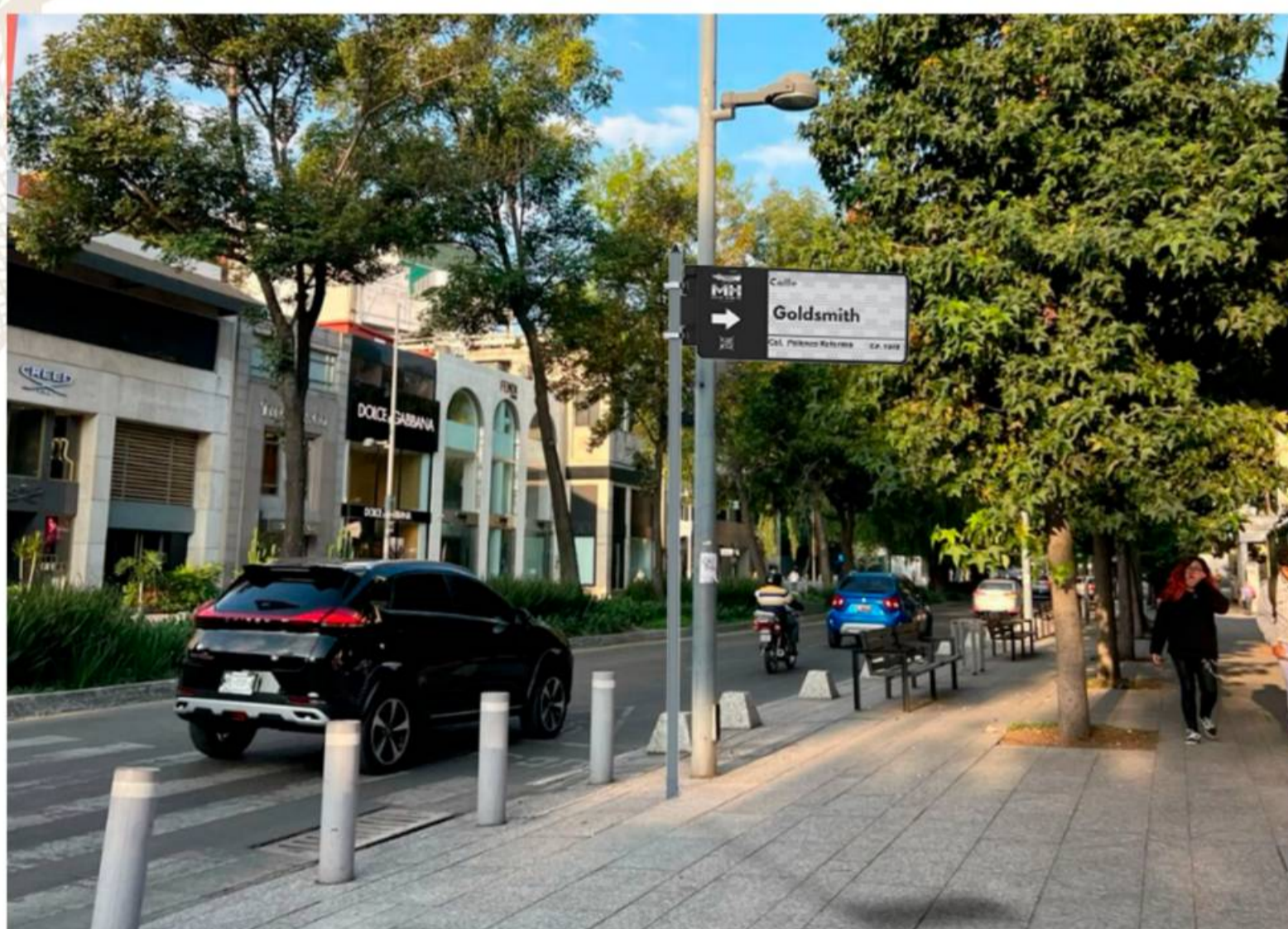
Pyramid shaped top



2 integrated slots



- Cuenta con dos pestañas integradas que facilitan su instalación por una sola persona. Esta característica la convierte en una nomenclatura antivandálica, optimizando su montaje y asegurando su resistencia a posibles daños.



Installation with strap



INSTALLATION MODE

✓ EASY INSTALLATION



Safety system with tie wraps included:

This safety system has stainless steel clamps with **strap buckle to install easily** and tie wraps, offering an integral and reliable solution for your calm.



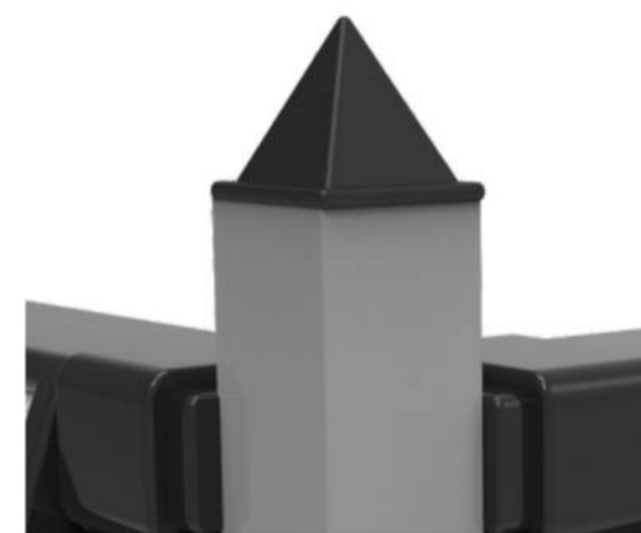
2 integrated slots



Measures

- **Tie Wraps:**
 - Length: 11.8 in.
 - Width: 19 mm.
- **Buckle:**
 - 21 mm.

Pyramid shaped top



Two integrated slots that ease installation by one person. This feature becomes into a vandal-proof street sign, optimizing mounting and ensuring resistance to possible damages.



Installation with strap



EXAMPLES



EXAMPLES



CONTACT US



88-A lago Ayarza, Miguel Hidalgo, CDMX



Phone +52 (55) 5399-8671



Whatsapp +52 (55) 8811-2082



[HTTPS://MULTISENAL.COM](https://MULTISENAL.COM)