

CONE 35, 60 & 75

Code: CN-35 / CN-60 / CN-75

FEATURES

- Semi-flexible cones.
- Hexagonal base.
- Resistant to shocks and impacts.
- UV protection.
- Base can be filled with sand (included) to increase stability.
- Ideal to use in zones with strong winds, withstanding 43 mph winds.
- Suitable to use in indoors and outdoors.
- In compliance with night work standards.
- Stackable.
- Reflective bands (optional).

CN-35

- Functional to use in sections in repair.

CN-60

- Designed to use in parking lots, factories or industries.

CN-75

- Useful in road works, contraflow lanes or places where is required to sign an accident.

MEASUREMENTS

Dimensions and other measures are nominal and may vary by + - 2 %.

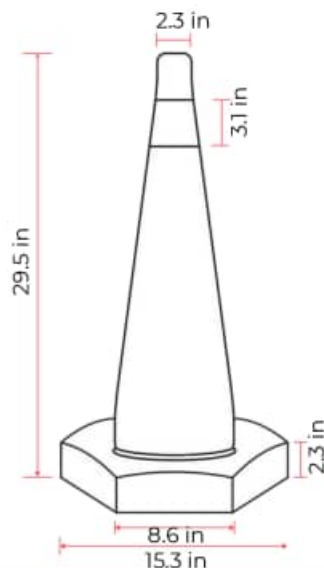
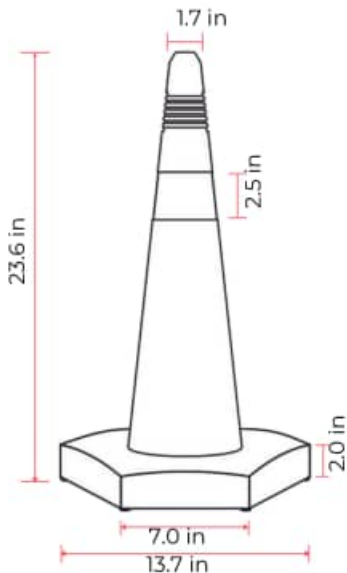
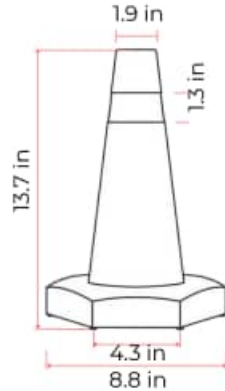
Manufactured with

- Medium density polyethylene

Color

- Transit Orange
- CN-60 & CN-75: with black base

| | Hexagonal Base | Width | Height | Weight |
|--------------|--------------------------|---------|-----------------|-----------|
| CN-35 | 8.8 in (4.3 per side) | --- | 35 cm (14") | 10.5 oz |
| CN-60 | 7.0 in per side | 13.7 in | 60 cm (24") | 33.6 oz |
| CN-75 | 8.6 in per side | 15.3 in | 75 cm (29 1/2") | 11739 lbs |



CONE 35, 60 & 75

Code: CN-35 / CN-60 / CN-75

TECHNICAL SPECIFICATIONS

| | | | |
|---|------------|---|---------------|
| Tensile Strength at Yield Point (ASTM D 638) | • 17.3 mpa | Impact Strength Izod (ASTM D 256) | • 530 j/m |
| Tensile Strength at Breaking Point (ASTM D638) | • 27.2 mpa | Tensile Impact Strength (ASTM D 1822) | • 163 kj/m2 |
| Yield Point Elongation (ASTM D 638) | • 17.4 % | Impacto arm 40°C, 3.2 mm | • 23 900 j/m |
| Elongation at Break (ASTM D 638) | • 1 500 % | Softening Point (vicat) (ASTM D 1525) | • 113°C/235°F |
| Flexural Modulus (ASTM D 638) | • 610 mpa | Heat Deflection Temperature (ASTM D 648) | • 80°C/176°F |

REFLECTIVE MATERIAL (OPT)

- Engineer grade

Brightness (reflectometer 85°) • Over 40°

Tensile Testing (300 mm/min.)

- Cerca de 2.25 kgf

Heat Resistance (71 + - 3°C x 24 hrs.) (159 + - 37.4°F x 24 hrs.)

- It doesn't affects

Cold Resistance (-57 + - 3°C x 7 hrs.) (-70 + - 37.4°F x 7 hrs.)

- It doesn't affects