

GALAXY BARRIER

Code: BGP-145



WHAT'S A GALAXY BARRIER?

Traffic security barrier, one of a kind, versatile device that can confine perfectly in line or curve shape, easy to handle thanks to its exclusive assembly.

The main function is cordon off prohibited zones, and delimit roads safely.

Mainly suggested in rows or curves, contributing to a safer environment.

FEATURES

- The body design offers better performance, structural resistance and long life span. l
- Channelize vehicle or pedestrian transit; in addition, is ideal to delimit zones.
- The location and number depends on the road and work type that is performed.
- With great stability and firmness on its daily performance.
- Manufactured in medium density polyethylene in one piece with uniform thickness on the walls.
- Round corners and borders to avoid injuries in case of impact.
- Its body has a shark fin to guarantee stability and join among them.
- Its exclusive assembly design allows a 30° turn radius among each barrier and creates 14.7 ft diameter circles (or more), according to needs.
- Continuous barriers, its male-female assembly system is really easy and can be performed by one person.
- Allow to join barriers in line or curves, with a clean and professional aspect.
- Caps to fill and drain.
- Resistance to climate changes; with UV protection.
- Option to fill with water or sand for more stability.
- Comply with official specifications of design, size and functionality.



GALAXY BARRIER

Code: BGP-145

MEASUREMENTS

dimensions and other measures are nominal and may vary by +/- 2%.

Total

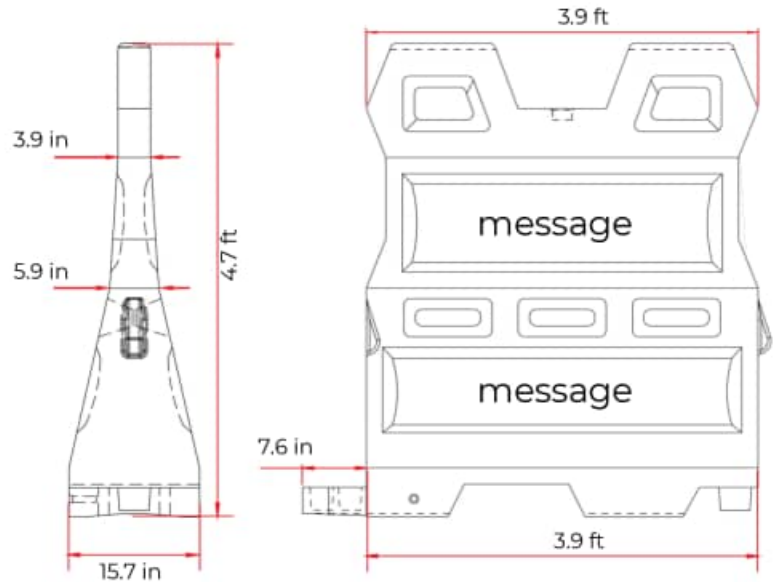
- Length: 3.9 ft
- Width: 15.7 in
- Height: 4.7 ft

Reflective Tape

- 2 areas for message, per face

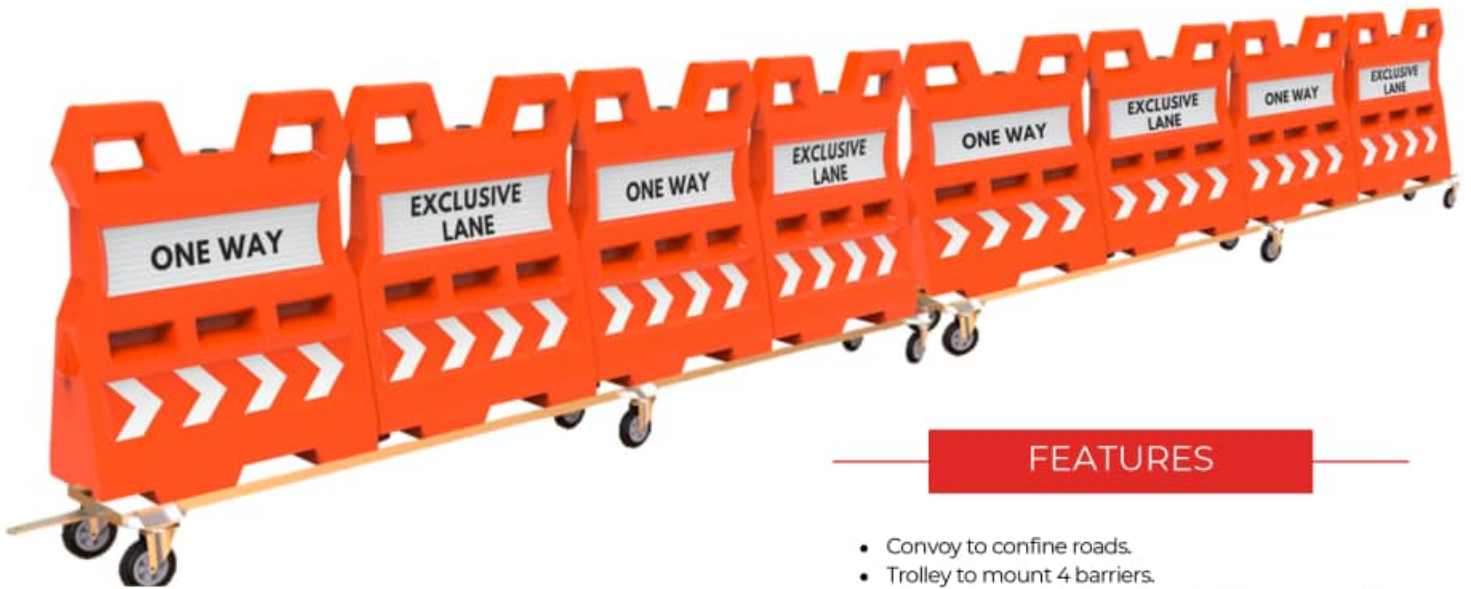
Color of Reflective Tape

- White



GALAXY BARRIER

Code: BGP-145



FEATURES

- Convoy to confine roads.
- Trolley to mount 4 barriers.
- Structure manufactured in a 3x3" steel angle with 6 swivel casters (with break pedal) of 8" diameter to move barriers.
- Length of 16.4 ft.

