



A road stud made of ABS with four cat eye reflectives. The design allows three floor-anchoring methods:

- 1) Extralarge anchors and lag screws.
- 2) ABS bolt and epoxy glue.
- 3) Only epoxy glue.

It optimizes road traffic and promotes road safety.

It's mainly used for channelling traffic flow and bringing safety in possible dangerous zones like bridges, tunnels, slopes, or curves. It also serves as a road channelizer.



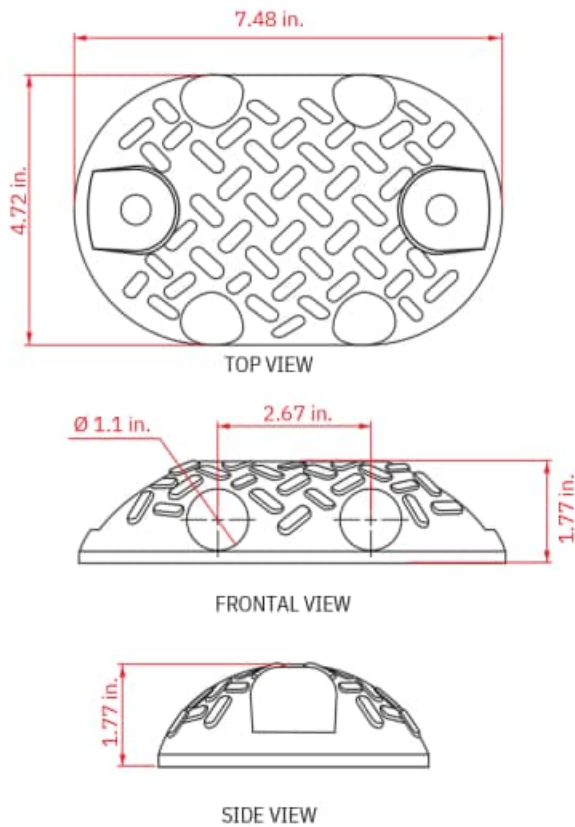
- Ultrafix screw of 21 v Ø 3/8" × 6"
- Galvanized steel flat washer of 3/8"
- Extralarge anchors Ø 0.7 × 5.46 in.

Features

- New one-of-a-kind oval road stud with a high-tech design.
- Since it is made of ABS, it offers better resistance and expansion performance of its materials, even in extreme temperatures.
- UV protection.
- It has the perfect height to force drivers to reduce their speed.
- Anti-skid surface.
- Two cat-eye reflectives per side with an acrylic coating that provides a long working life to the reflective.
- One or two reflective faces; this will depend if you want a directional or bidirectional vision.
- Body color: yellow.
- The side indentations facilitate its manual placement.
- Three floor-anchoring options:
 - a) An Ultrafix screw of Ø 3/8" × 6", a flat washer of 3/8" and an Extralarge anchor of 3/4" × 5.46 in. (2 pieces).
 - b) 2 ABS bolts and epoxy glue.
 - c) Only epoxy glue.



Volumes, dimensions, and other measures are nominal and may vary by approximately 2 %.



Measures

Total	Length: 7.48 in. Width: 4.72 in. Height: 1.77 in.
Reflectives:	Four cat-eye spheres of $\varnothing 1.1$ in.
Reflective color:	White and red.
Weight:	9.91 oz



Installation.

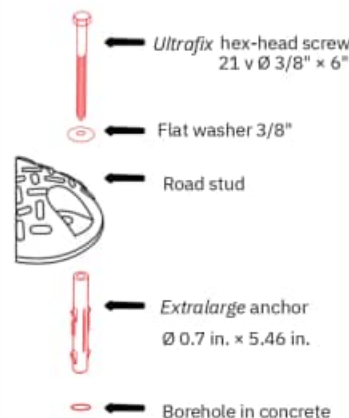
The surface needs to be dry and clean. Mark the distribution of every road stud.

Three installation methods (cement, dirt or asphalt):

Anchor: Bore into two holes with a drill bit of $\frac{3}{4}$ " to a depth of 7". Insert the *Extralarge* anchors. Place the road stud with the screws and tighten them with a 9/16 socket wrench.

Bolt: Bore into the holes with a drill bit of $\frac{1}{2}$ " to a depth of 3". Apply the epoxy glue on the road stud base (approx. 7 oz). Make sure it covers completely. Insert the bolts in the boreholes and hammer them with a mallet. **Epoxy glue:**

Apply epoxy glue underneath the road stud (approx. 7 oz). Place the road stud where you want it to go and press it.



EPOXY GLUE PREPARATION:

Mix equal amounts of the "a" and "b" formula.

Stir until the formulas are well combined.

Since it is of single-use, once the job is finished, get rid of the remaining epoxy glue.