

## BARCELONA BENCH

Code: BA-BA-2000M/BA-BA-2000L/BA-BA-2000P



Barcelona model bench stands out for its modern design with structural supports of 100% recycled polyethylene.

Seat and back can manufacture in:

- Wooden planks and marine polyurethane enamel.
- Plasti-wood profiles.
- 12-gauge steel sheet can incorporate design or logo through laser cutting.

This urban furniture not only offers a comfortable space to rest, but is apt to indoor and outdoor environments, thanks to the resistance of inclemency. It has a minimum maintenance, requiring occasional cleaning only.

Available in standard measures of 70.8 and 118 in, these benches can be manufactured in other dimensions, it depends on space needs.

**Applications:** Modern design of Barcelona benches integrates perfectly in esplanades and terraces of corporation buildings, malls and outdoor areas, providing a comfortable and nice place to rest, talk or wait.

### FEATURES

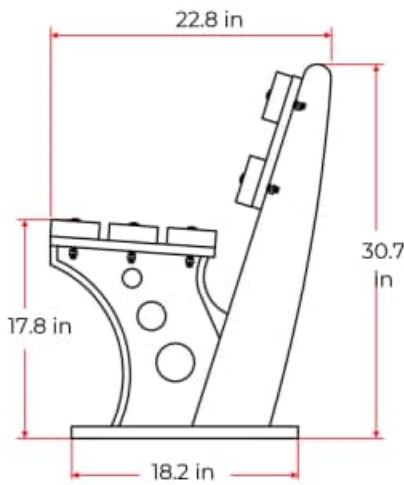
- Simple and elegant design of Barcelona model benches provide a modern image that combines perfectly with avant-garde architecture.
- The supports of benches are manufactured in 100% recycled MDPE.
- The supports, seat and back of benches are assembled with (galvanized) nuts and screws.
- Benches are anchored to floor with 3/8" x 5.9 in "Ultrafix" screws and 3/4" x 5.5 in "Extralarge" expansion anchors.
- In the 70.8 in of length benches can seat comfortably from 3 to 4 people and in the benches of 118 in from 5 to 6 people.
- All the materials are resistant to inclemency, due that Barcelona benches are ideal for outdoor use.



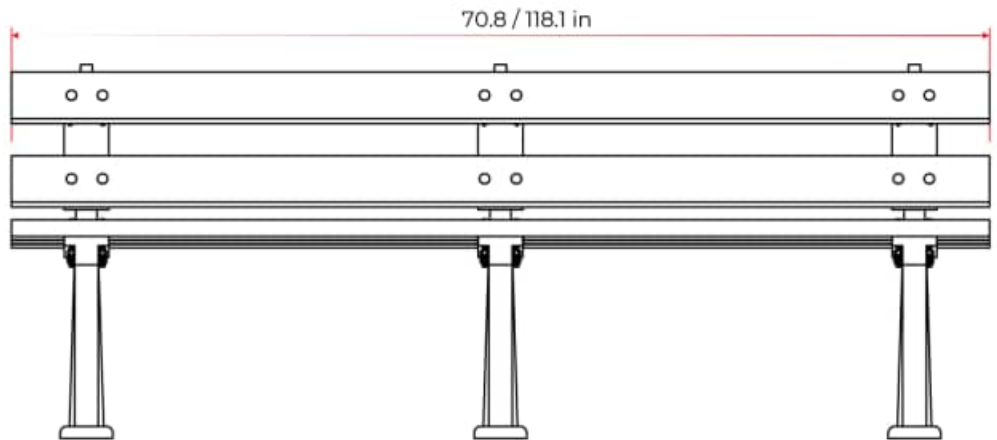
# BARCELONA BENCH

Code: BA-BA-2000M/BA-BA-2000L/BA-BA-2000P

**Lateral View**



**Front View**



## MEASUREMENTS

Dimensions and other measures are nominal and may vary by + / - 2%.

- Total**
- Length: 70.8 or 118.1 in
  - Width: 22.8 in
  - Height: 30.7 in

