

STREET SIGN 9040

Code: NOM-9040

THE BEST VERSION - 9040

This road signage device ensure street sign is clear, easy to read and comply with the established standards of the Secretaria de Movilidad (SEMOVI) (Secretariat of Mobility).

This street sign indicates names, type of road where you are located, way of circulation and in some cases, house or street numbering, etc.

Option to include QR code (optional) for emergencies to provide additional information in real time, improving safety and assistance in emergencies.
Two face format.



Registration issued by patent office IN PROCESS.
Comply with NOM-034-SCT2/SEDATU-2022,
Section. 6.6.1.2 Table 29.

FEATURES

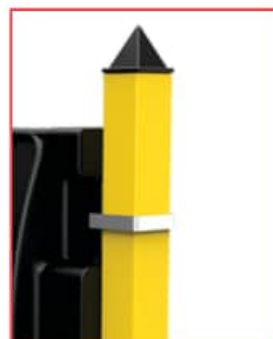
- Information on both sides ensure motorists and pedestrians can read both faces.
- Street sign with vandal-proof body, manufactured in RCB black polymer, in a single piece; with 2 integrated slots for an easy installation.
- Curved front to accept any flexible film with adherence to label or sign in both faces.
- Resistance to inclemency and temperature changes against UV rays.
- This weight less than a street sign of sheet, maintaining safe to pedestrian in possible accidents.
- 30 years of lifespan due doesn't rust.
- 100 % recyclable, contributing to environmental sustainability.
- Convenient and easy to install, whether is installed with stainless steel or nylon strip.
- Can be placed on existent pole, tubular, galvanized or painted RHS pole.
- We suggest the use of **Posteflex®** yellow or grey with pyramid-shaped-top, post free of oxide, flexible and durable.
- NOM-9040 and Posteflex® have no resale or commercial value in case of theft



INTEGRATED SLOTS



NYLON STRIP WITHSTANDS
UP TO 220 LBS



RHS WITH PYRAMID
SHAPED TOP



TUBULAR POLE WITH
DIAMOND SHAPED
TOP

9040 STREET SIGN

Code: NOM-9040

MEASUREMENTS

Dimensions and other measures are nominal and may vary by + - 2 %.

Street Sign

- Total Length: 3.2 ft
- Width: 6.4 in
- Height: 16.5 in

Label area

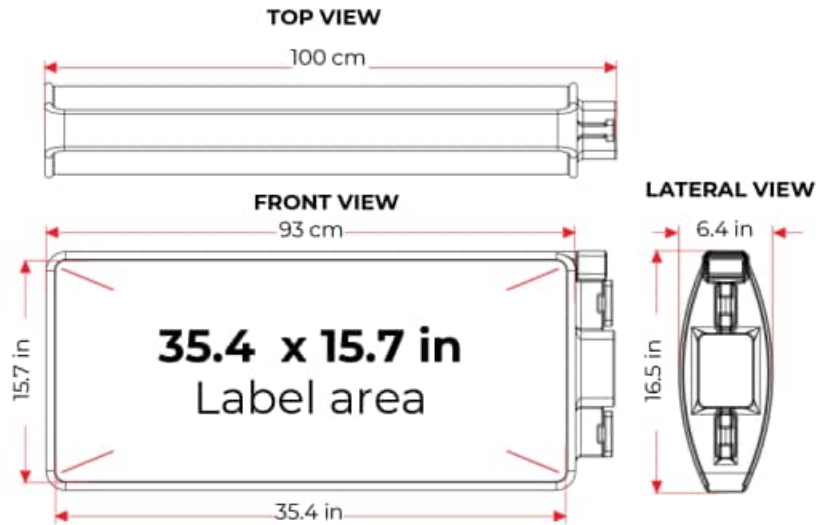
- 35.4 x 15.7 in

**Label/
Sign**

- Both faces

**Color of reflective
sheeting**

- In accordance with project



**SOLID DUO
STREET SIGN 9040 & POSTEFLEX®**

100% vandal-proof
Resist impacts without losing shape neither bend

