

STREET SIGN 390 WITH LIGHT

Code: NOM-390L

WHAT'S A STREET SIGN?

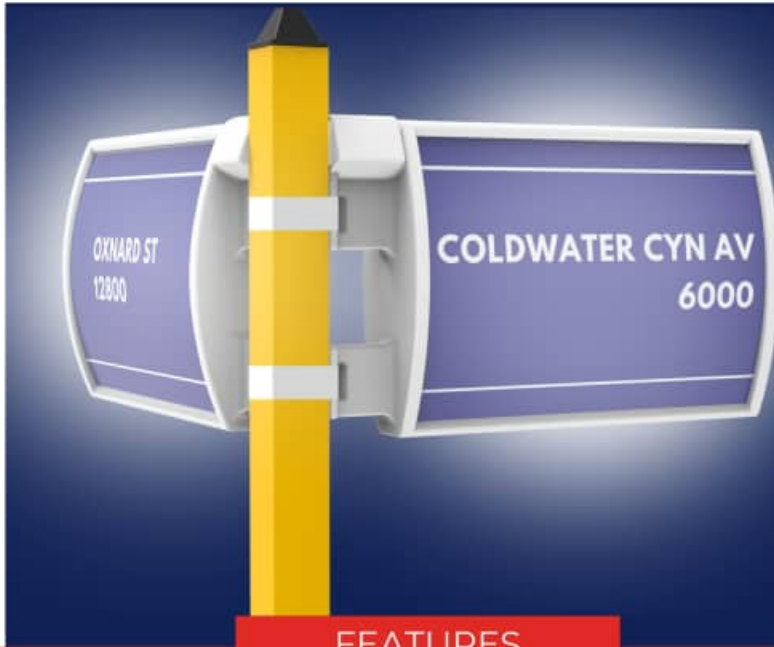
The simplicity is the key to a real elegance.

The street sign 770 is luminosity in all its splendor, with anti-vandalism and anti-graffiti design.

It indicate to users the name, type of road, demarcation of location, traffic flow, and in some cases the address signs of streets, avenues, et al;

It is placed in a proper post or preferably an existent one at the corner of the road intersections.

Geo-location technology with QR-code for emergencies and safety (optional).

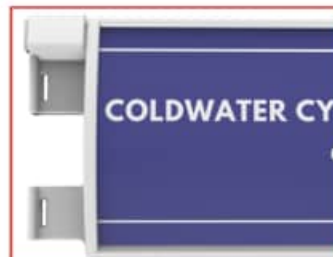


FEATURES

- **Street Sign** manufactured in lightweight body of white RCB polymer to allow the sunlight pass through, designed in one-piece with 2 integrated flanges to install on the post, curved front to add any flexible coating with adhesion for signage in both sides.
- Resistance to inclemency and temperature changes, with UV-protection.
- Long lifespan, it doesn't rust.
- 100 % recyclable.
- RHS post or Posteflex®.
- Finish in black color with electrostatic paint.

ELECTRIC SYSTEM

- LED technology with low-energy consumption, environmentally friendly.
- ON/OFF system via photoelectric electronic sensor.
- Line of LEDs, 21 LED/ 42 LED
- Input voltage: 100-240 V
- Power consumption: 4.88 W /9.6 W
- Average life-hours: 35 000 HRS
- Lumens: 160 /320
- Photoelectric ON/OFF intelligent control: instantaneous
- Degree of protection: p65
- Degree of protection: IK10
- Opening angle: 120°



STREET SIGN 390 WITH LIGHT

Code: NOM-390L

MEASUREMENTS

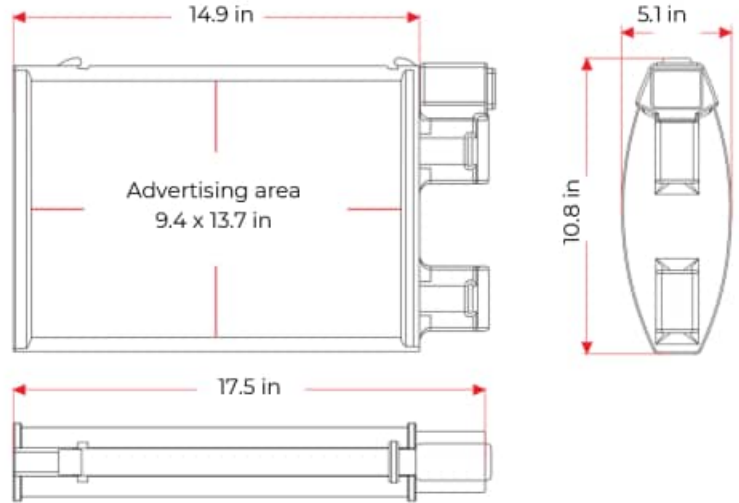
Horizontal Street Sign

Dimensions, and other measures are nominal and may vary by +/- 2%.

- Street Sign**
- Total Length: 17.5 in
 - Width: 5.1 in
 - Height: 10.8 in

- Reflective**
- Both sides

- Color of reflective sheeting**
- According to the project



	Mod. NOM-390N	Mod. NOM-390 Lit	Mod. NOM-390 ST-Lit
Lighting	---	Yes	Yes
Intensity	---	4.88 W	9.63 W
Lumens	---	160	320
Color	Black	White Translucent	White Translucent
Color Temperature	---	8,500-10,000	8,500-10,000
LED line module	---	21 LED chips	42 LED chips
Photoelectric sensor	---	Yes	Yes

Note:

- NOM-390N: No lighting.
- NOM-390LIT: Limited lighting to 21 LEDs.
- NOM-390ST-LIT: Super lighting of 42 LEDs.

